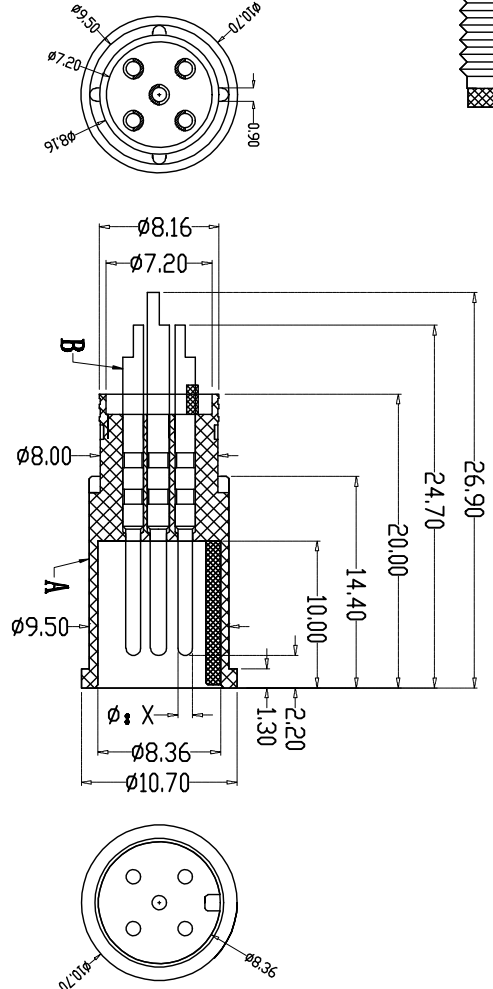
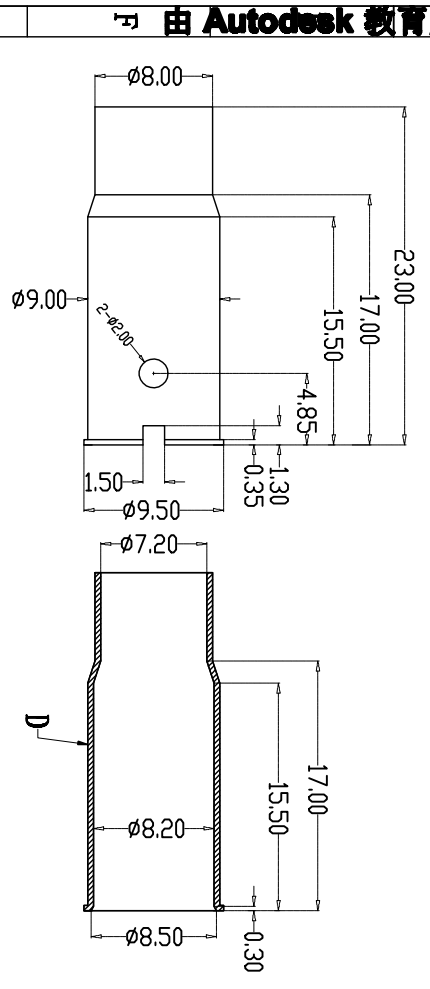
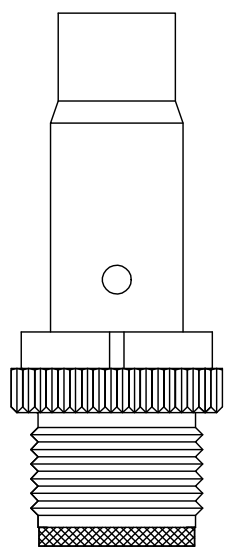
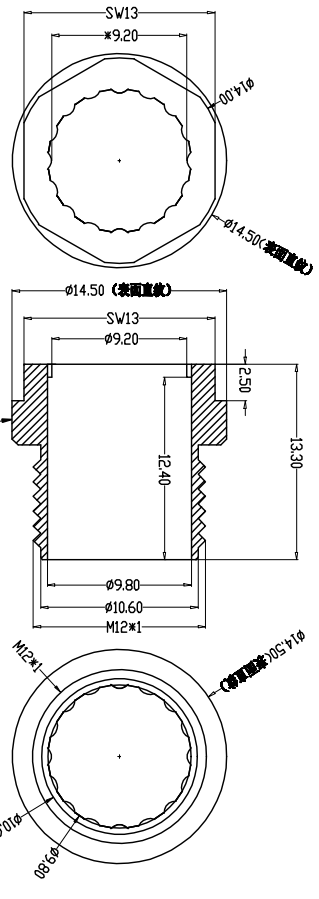


1		2		3	
pin位	2pin	3pin	4pin	5pin	6pin
A X 值	1.00	1.00	1.00	1.00	0.80
A-00E 图形					
B-00E 图形					
D-00E 图形					



由 Autodesk 教育版产品制作

由 Autodesk 教育版产品制作

G		F		E		D		C		B		A	
Engagement force	≤50N	Rated voltage	≤50V	Rated current	≤5A	Insulation resistance	≥1000MΩ	Contact resistance	≤10mΩ	IP rating	IP67/IP68	Flammability	UL94 V-0
Disengagement force	≥5N	Rated current	≤5A	Insulation resistance	≥1000MΩ	Contact resistance	≤10mΩ	IP rating	IP67/IP68	Flammability	UL94 V-0		
Mechanical lifespan	≥500	Insulation resistance	≥1000MΩ	Contact resistance	≤10mΩ	IP rating	IP67/IP68	Flammability	UL94 V-0				
Engagement force	≤50N	Rated voltage	≤50V	Rated current	≤5A	Insulation resistance	≥1000MΩ	Contact resistance	≤10mΩ	IP rating	IP67/IP68	Flammability	UL94 V-0
Disengagement force	≥5N	Rated current	≤5A	Insulation resistance	≥1000MΩ	Contact resistance	≤10mΩ	IP rating	IP67/IP68	Flammability	UL94 V-0		
Mechanical lifespan	≥500	Insulation resistance	≥1000MΩ	Contact resistance	≤10mΩ	IP rating	IP67/IP68	Flammability	UL94 V-0				

PARTS	MATERIALS	TREATMENT	AMOUNT
A HOUSING	PA66+GF	GOLD PLATED	1
B CONTACT	BRASS	NICKEL PLATED	2*8
C NUT	BRASS	NICKEL PLATED	1
D OUTER CONTACT	BRASS	NICKEL PLATED	1

TOLERANCE		TITLE:	
±0.05	±0.10	H12防水型连接器公母头+22L屏蔽罩+特制动圈触	
±0.10	±0.20	PART NO.:	DRAWING NO.:
±0.20	±0.50	CF-H12A(0.2)-H12	CF-H120228
±1°		SCALE:	UNIT: mm
		1:1	SIZE: REV A/0

DRAWN:		CHECK:	
Xie Wenjun	Long Jichang		
DATE:		DATE:	
2022-08-11			

Dongguan Changjun Electronics Co., LTD
东莞市昌骏电子有限公司