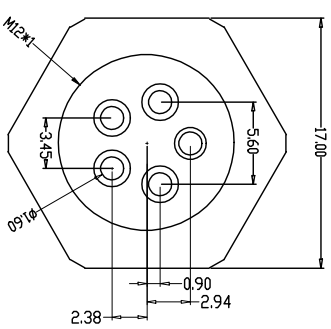
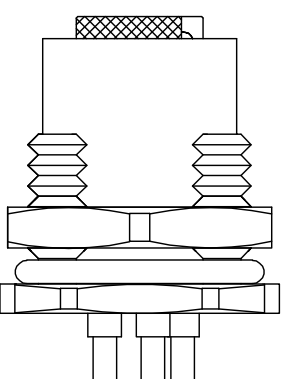
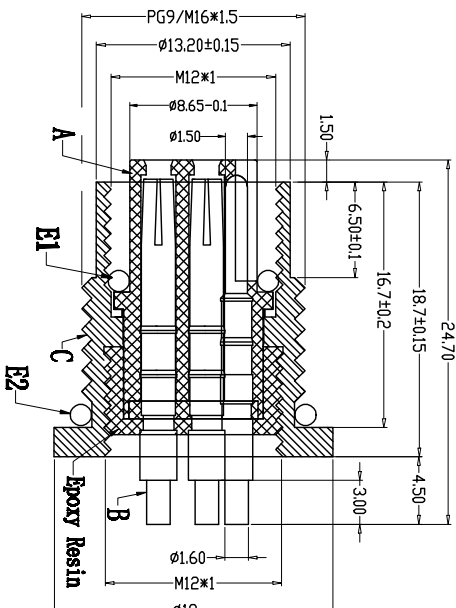
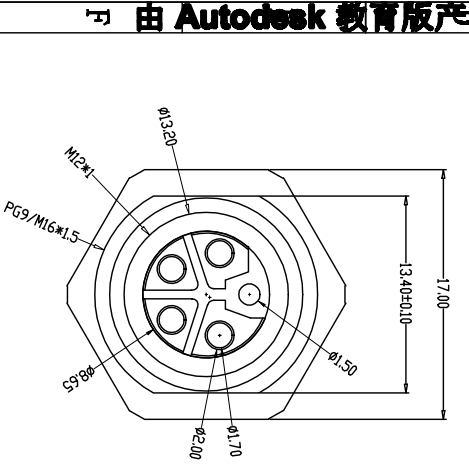
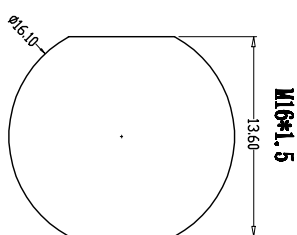
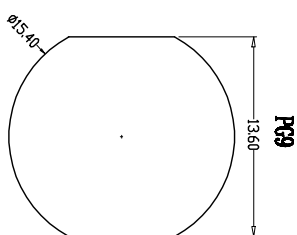
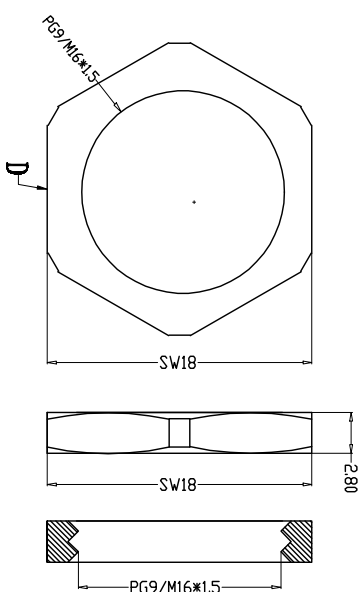


Recommended Panel Cut-out

pin位	1	2	3
图形			



由 Autodesk 教育版产品制作

由 Autodesk 教育版产品制作

Engagement force	Rated voltage	Rated current	Rated power	Rated insulation resistance	Contact resistance	Operation Temperature
≤50N	63V	16A	16A	≥1000M Ω	≤10m Ω	-40° C~105° C
Disengagement force	Rated current	Rated power	Rated insulation resistance	Contact resistance	Operation Temperature	
≥10N	16A	16A	≥1000M Ω	≤10m Ω	-40° C~105° C	
Mechanical lifespan	Insulation resistance	Contact resistance	Operation Temperature			
≥500	≥1000M Ω	≤10m Ω	-40° C~105° C			
IP rating						
IP67/IP68						
Flammability						
UL94 V-0						

PARTS	MATERIALS	TREATMENT	AMOUNT
A HOUSING	PA66+GF	GOLD PLATED	1
B CONTACT	BRONZE	NICKEL PLATED	3*5
C OUTER CONTACT	BRASS	NICKEL PLATED	1
D NUT	BRASS	NICKEL PLATED	1
E O-RING	EPDM	BLACK	2

Dongguan Changjun Electronics Co., LTD
东莞市昌骏电子有限公司

TOLERANCE	±0.05	TITLE:	M12防水连接器-00R 前视图式PG9/M16 SM17T-24 TL
XXX	±0.10	PART NO.:	
XX	±0.20	DRAWING NO.:	CP-M120175
X	±0.50	DATE:	2022-06-25
ANGLE	±1°	SHEET:	1 / 1
		SCALE:	1 : 1
		UNIT:	mm
		SIZE:	A4
		REV:	A/0
		DRAWN:	Xie Tengjun
		CHECK:	Long Jichang
		DATE:	

1

2

3

6

8