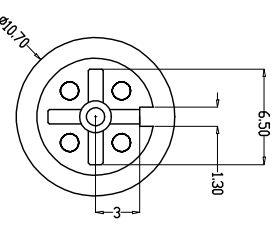
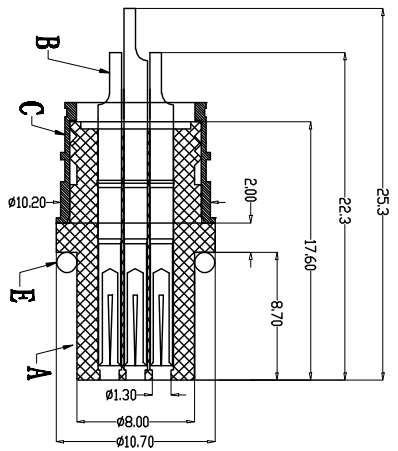
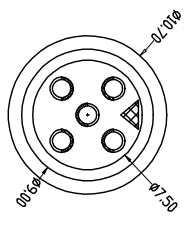
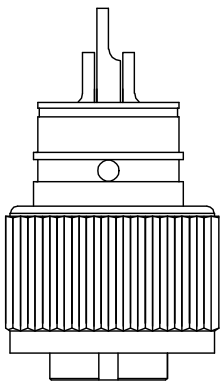
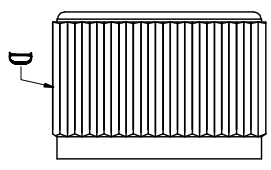
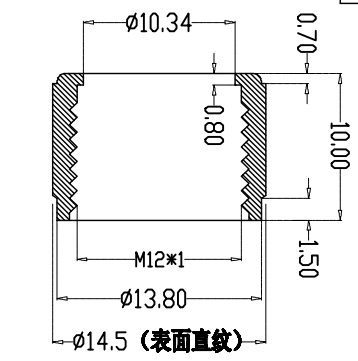


A	1	2	3	4	5	6	7	8
	2PIN	3PIN	4PIN	5PIN正方形	6PIN	7PIN	8PIN	
A-000E 图形								
B-000E 图形								
D-000E 图形								



G	Engagement force	≤50N	Rated voltage	2-10pin: 60V 6-8pin: 30V
	Disengagement force	≥5N	Rated current	2-10pin: 4A 6-8pin: 2A
H	Mechanical lifespan	≥500	Insulation resistance	≥1000M Ω
	IP rating	IP67/IP68	Contact resistance	≤10m Ω
I	Flammability	UL94 V-0	Operation Temperature	-40° C~105° C

PARTS	MATERIALS	TREATMENT	AMOUNT
A HOUSING	PA66+GF	GOLD PLATED	1
B CONTACT	BRONZE	NICKEL PLATED	2*8
C OUTER CONTACT	BRASS	NICKEL PLATED	1
D NUT	BRASS	NICKEL PLATED	1
E O-RING	EPDM	BLACK	1

Dongguan Changjun Electronics Co., LTD
东莞市昌骏电子有限公司

TITLE: M12防水型连接器插头插孔*10.0直纹螺母
 TOLERANCE: .xxx ±0.05
 .xx ±0.10
 .x ±0.20
 ANGLES ±1°

PART NO: CG-H12067
 CG-H12067-A-F11
 DRAWTING NO.: CG-H120067

SHEET: 1 / 1
 SCALE: 1 : 1
 UNIT: mm
 SIZE: A4
 REV: A/0

DRAWN: Xie Fenjun
 CHECK: Long Jibang
 DATE: 2022-01-05