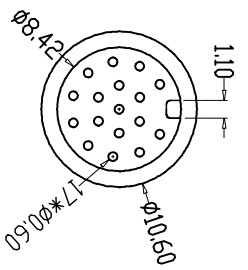
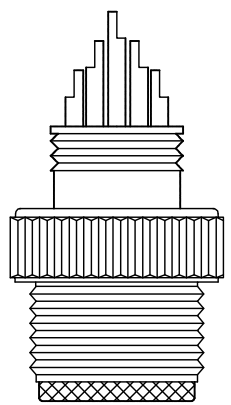
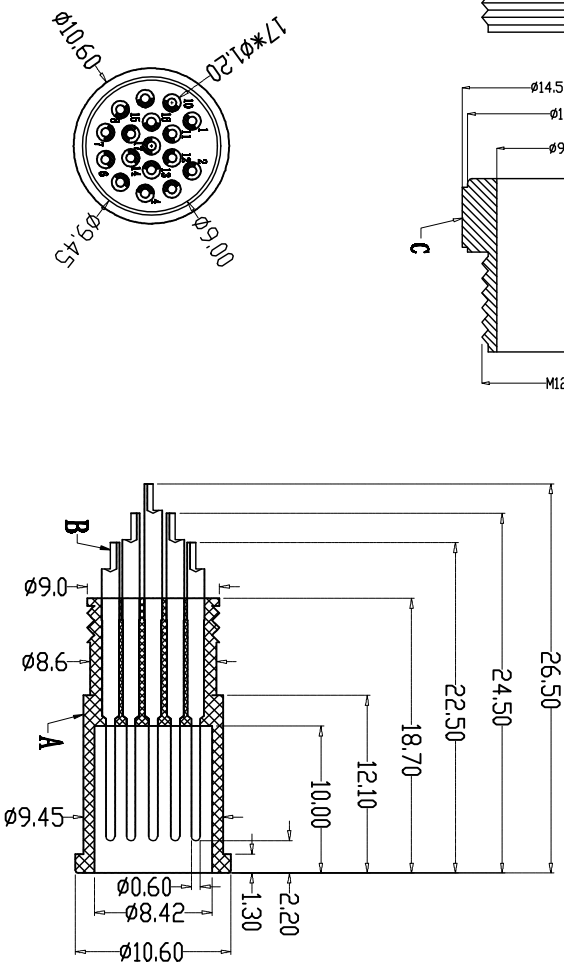
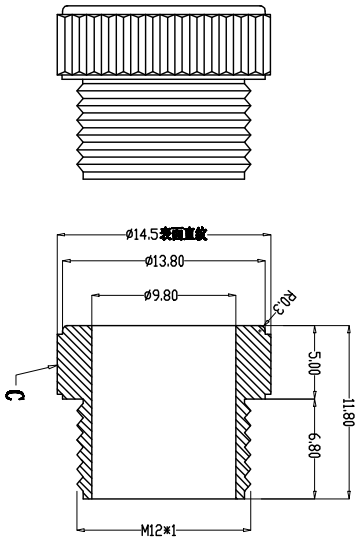


	1	2	3	4	5	6	7	8
A	9pin	10pin	11pin	12pin	13pin	14pin	16pin	17pin
B								



由 Autodesk 教育版产品制作

由 Autodesk 教育版产品制作

	1	2	3	4	5	6	7	8																
H	Engagement force	≤50N	Rated voltage	30V																				
	Disengagement force	≥10N	Rated current	1.5A																				
	Mechanical lifespan	≥500	Insulation resistance	≥1000MΩ																				
	IP rating	IP67/IP68	Contact resistance	≤10mΩ																				
	Flammability	UL94 V-0	Operation Temperature	-40° C~105° C																				
G	<table border="1"> <thead> <tr> <th>PARTS</th> <th>MATERIALS</th> <th>TREATMENT</th> <th>AMOUNT</th> </tr> </thead> <tbody> <tr> <td>A HOUSING</td> <td>PAGE6+GF</td> <td>GOLD PLATED</td> <td>1</td> </tr> <tr> <td>B CONTACT</td> <td>BRASS</td> <td>NICKEL PLATED</td> <td>9~17</td> </tr> <tr> <td>C NUT</td> <td>BRASS</td> <td></td> <td></td> </tr> </tbody> </table>								PARTS	MATERIALS	TREATMENT	AMOUNT	A HOUSING	PAGE6+GF	GOLD PLATED	1	B CONTACT	BRASS	NICKEL PLATED	9~17	C NUT	BRASS		
PARTS	MATERIALS	TREATMENT	AMOUNT																					
A HOUSING	PAGE6+GF	GOLD PLATED	1																					
B CONTACT	BRASS	NICKEL PLATED	9~17																					
C NUT	BRASS																							
	<p><b>Dongguan Changjun Electronics Co., LTD</b>  <b>东莞市昌骏电子有限公司</b></p> <p>TITLE: H12防水9~17芯插接公头(带+11.8L直拔插线)                  TOLERANCE: ±0.05                  .xxx                  .xx                  .x                  ANGLES ±1°</p> <p>PART NO: GJ-H12(07)A-M03                  DRAWING NO.: GJ-H120075                  SHEET: 1 / 1                  SCALE: 1 : 1                  UNIT: mm                  SIZE: REV A/0                  DRAWN: Xie Wenjun                  CHECK: Long Jichang                  DATE: 2022-01-05</p>																							