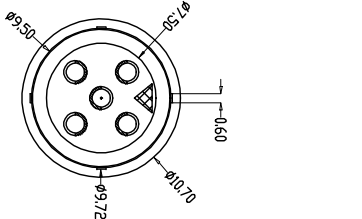
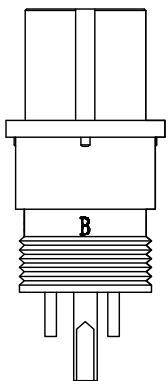
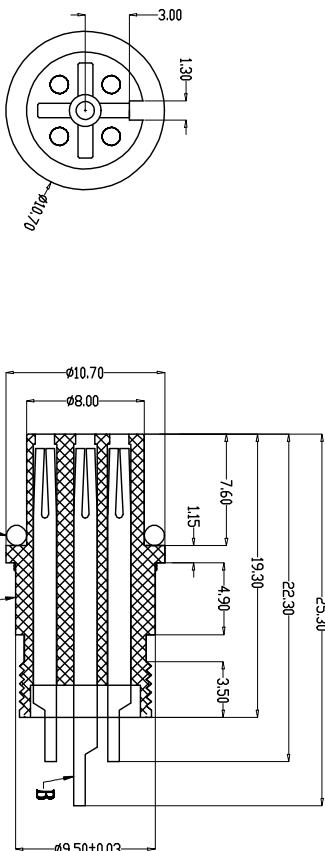
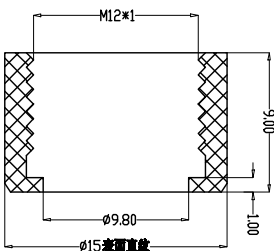
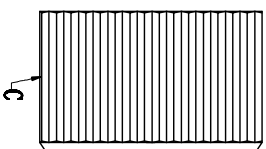
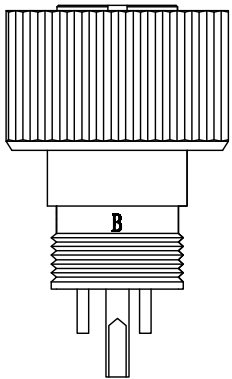


A	1		2		3		4		6		7		8							
图形																				
规格	2PIN	2PIN	2PIN 4线2	3PIN	3PIN	3PIN 4线3	4PIN 2+2	4PIN	4PIN 十字槽	5PIN	5PIN 十字槽	5PIN 正方形2+3	5PIN 180°	5PIN 280° 2+3	5PIN 360°	6PIN 360°	6PIN 280°	6PIN 8线6	7PIN	8PIN
间距公称值	1.20	1.50	1.00	1.20	1.50	1.00	1.20+1.00	1.00	1.00	1.00	1.50+1.00	0.80	1.50+1.00	1.00	1.00	0.80	0.80	0.80	0.80	0.80



由 Autodesk 教育版产品制作

由 Autodesk 教育版产品制作

G		H		I		J	
Engagement force	≤50N	Rated voltage	250VAC	Engagement force	≤50N	Rated voltage	250VAC
Disengagement force	≥5N	Rated current	5A	Disengagement force	≥5N	Rated current	5A
Mechanical lifespan	≥500	Insulation resistance	≥1000MΩ	Mechanical lifespan	≥500	Insulation resistance	≥1000MΩ
IP rating	IP67/IP68	Contact resistance	≤10mΩ	IP rating	IP67/IP68	Contact resistance	≤10mΩ
Flammability	UL94 V-0	Operation Temperature	-40° C~105° C	Flammability	UL94 V-0	Operation Temperature	-40° C~105° C

Dongguan Changjun Electronics Co., LTD
东莞市昌骏电子有限公司

TOLERANCE	TITLE:	PART NO.:	DRAWING NO.:
.xxx ±0.05	1120081	GF-1120081	GF-1120081
.xx ±0.10			
.x ±0.20			
ANGLE ±1°			