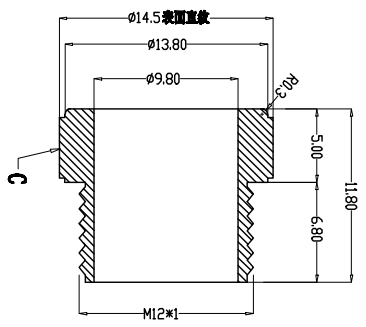
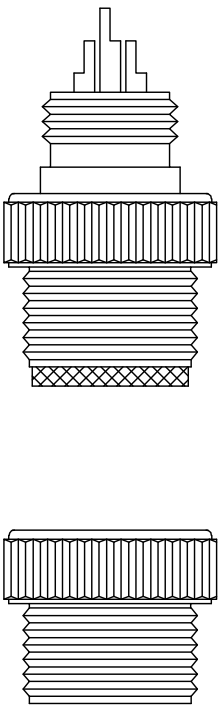
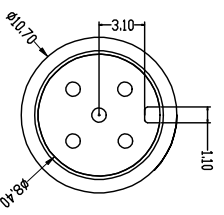
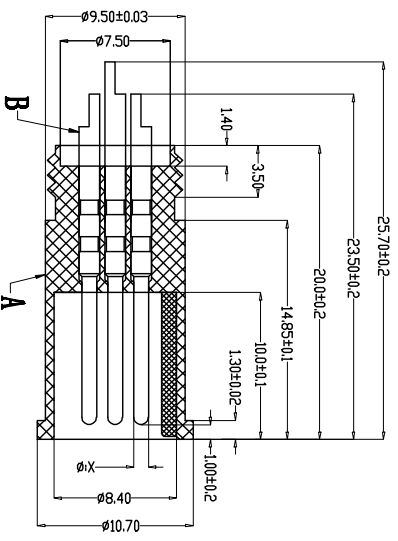
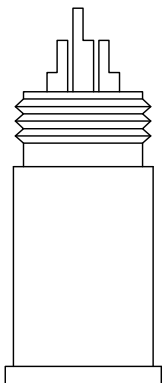
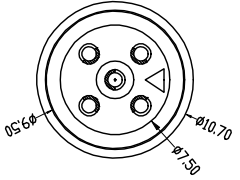


A		1		2		3	
pin位	X 值	2pin	3pin	4pin	5pin	6pin	7pin
A-000E 图形	1.00						
B-000E 图形	1.00						
C-000E 图形	1.00						



由 Autodesk 教育版产品制作



G		1		2		3	
Engagement force	Rated voltage	Rated current	Insulation resistance	Contact resistance	Operation Temperature		
Engagement force	Rated voltage	Rated current	Insulation resistance	Contact resistance	Operation Temperature		
Disengagement force	Rated voltage	Rated current	Insulation resistance	Contact resistance	Operation Temperature		
Mechanical lifespan	Rated voltage	Rated current	Insulation resistance	Contact resistance	Operation Temperature		
IP rating	Rated voltage	Rated current	Insulation resistance	Contact resistance	Operation Temperature		
Flammability	Rated voltage	Rated current	Insulation resistance	Contact resistance	Operation Temperature		

PARTS		MATERIALS		TREATMENT		AMOUNT	
A	HOUSING	PA66+GF		GOLD PLATED		1	
B	CONTACT	BRASS		NICKEL PLATED		2*8	
C	NUT	BRASS				1	

Dongguan Changjun Electronics Co., LTD
东莞市昌骏电子有限公司

TOLERANCE		TITLE:	
.xxx	±0.05	M12防水型密封接头M12.8直插端子	
.xx	±0.10	PART NO: CQ-H128(3)-M12	
.x	±0.20	DRAWING NO.:	
ANGLE	± 1°	SHEET: 1 / 1	
		SCALE: 1 : 1	
		UNITS: mm	
		SIZE: A4	
		REV: A/0	
		DATE: 2022-01-05	