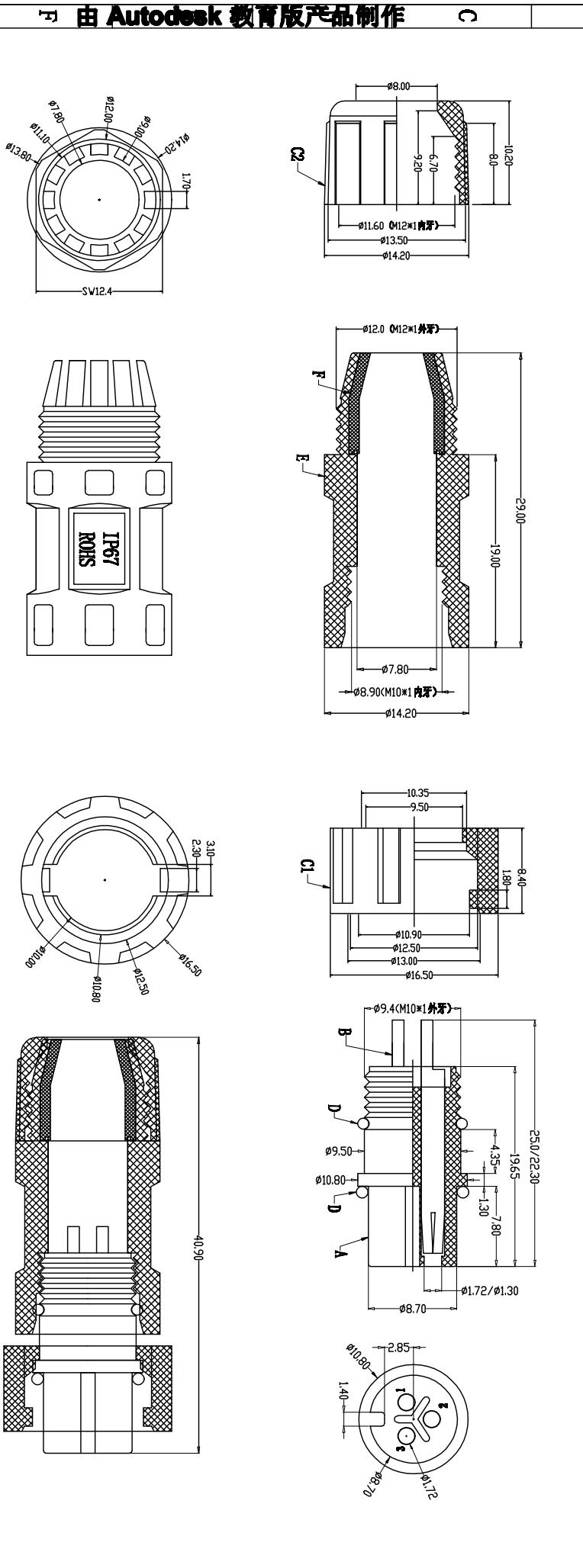


A	1	2	3	4	5	6	7	8			
B	2pin	3pin	4pin正方形	5pin正方形	5pin正方形(2+3)	5pin360°	6pin360°	6pin258°	6pin(8改6)	7pin	8pin



PARTS	MATERIALS	TREATMENT	AMOUNT
A HOUSING	PA66+GF	BLACK	1
B CONTACT	BRONZE	GOLD PLATED	2*8
C NUT	PA66+GF	BLACK	2
D O-RING	SILICA GEL	RED	2
E SHELL	PA66+GF	BLACK	1
F O-RING	SILICA GEL	BLACK	1

Engagement force	≤50N	Rated voltage	3-5pin: 60V 6-8pin: 30V
Disengagement force	≥5N	Rated current	2-3pin: 7.5A 4-8pin: 4A
Mechanical lifespan	≥500	Insulation resistance	≥1000M Ω
IP rating	IP67/IP68	Contact resistance	≤10m Ω
Flammability	UL94 V-0	Operation Temperature	-40° C~105° C

Dongguan Changjun Electronics Co., LTD	
东莞市昌骏电子有限公司	
TITLE:	12型快插式防水型接插件母头 插配式
PART NO.:	DR-1120209
SCALE:	1:1
UNIT:	mm
SIZE:	REV A/0
DRAWN:	Xie Wenjun
CHECK:	Long Jichang
DATE:	2022-01-05