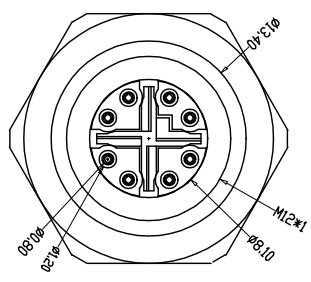
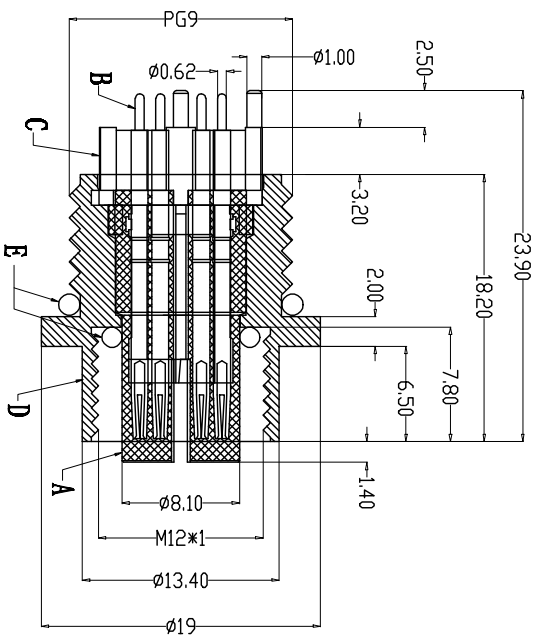
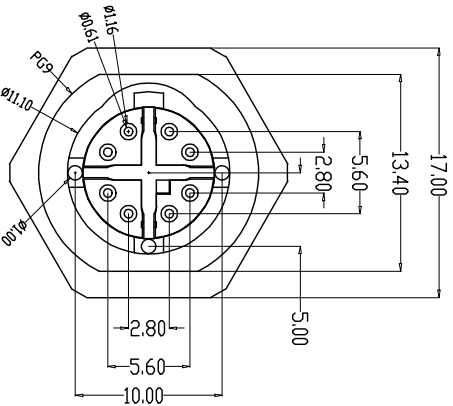
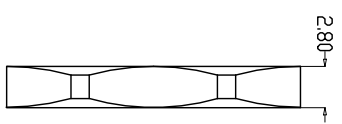
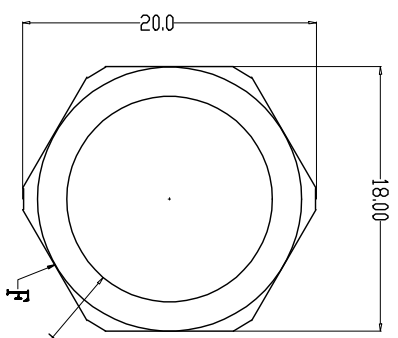
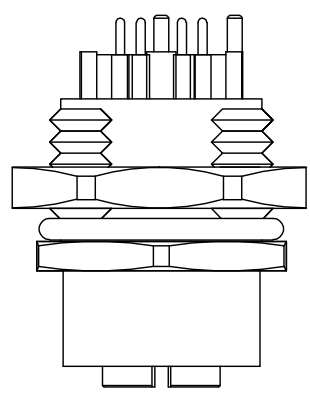
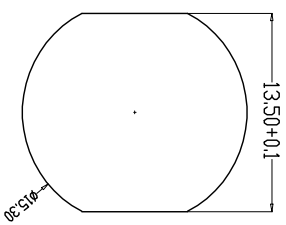


Recommended Panel Cut-out



Dongguan Changjun Electronics Co., LTD
东莞市昌骏电子有限公司

TITLE: H12端子板板端母座-C008 后键面板式C08 SW1T

PART NO: G-1200095

DRIVING NO.: G-1200095

SCALE: 1:1

UNIT: mm

SIZE: A4

DATE: 2022-01-05

PARTS	MATERIALS	TREATMENT	AMOUNT
A HOUSING	PA66+GF	SPECIFY COLOR	1
B CONTACT	BRONZE	GOLD PLATED	8
C OUTER CONTACT	ZINC ALLOY	NICKEL PLATED	1
D SHIELD	BRASS	NICKEL PLATED	1
E O-RING	EPDM	BLACK	2
F NUT	BRASS	NICKEL PLATED	1

Engagement force	≤50N	Rated voltage	48V
Disengagement force	≥10N	Rated current	0.5A
Mechanical lifespan	≥500	Insulation resistance	≥1000MΩ
IP rating	IP67/IP68	Contact resistance	≤10mΩ
Flammability	UL94 V-0	Operation Temperature	-40° C~105° C

1 2 3 6 7 8