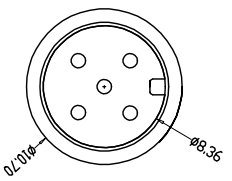
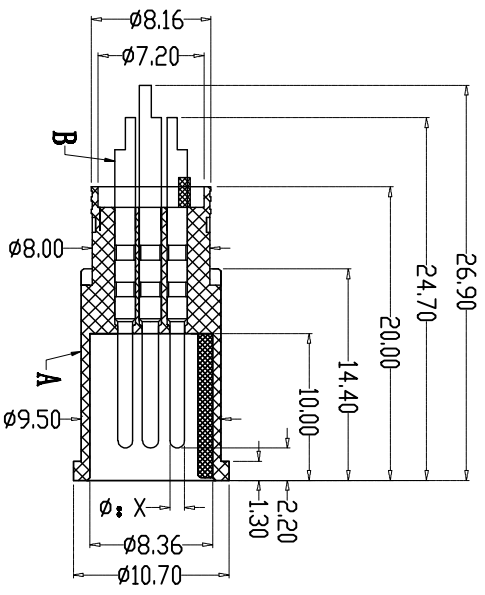
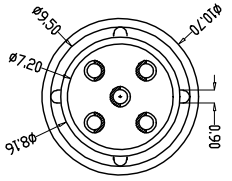
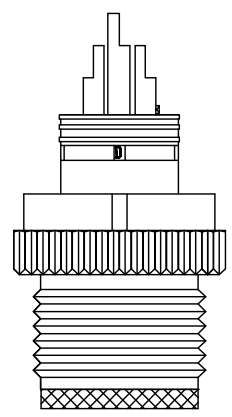
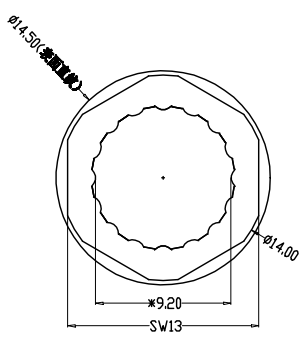
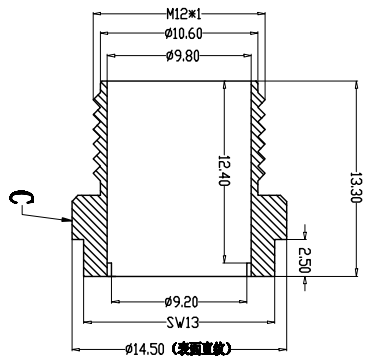
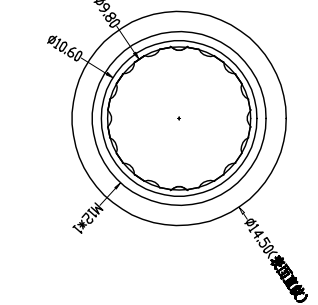


1		2		3		4	
pin位	2pin	3pin	4pin	5pin	6pin	7pin	8pin
A X 值	1.00	1.00	1.00	1.00	0.80	0.80	0.80
A-000E 图形							
B-000E 图形							
D-000E 图形							



由 Autodesk 教育版产品制作

由 Autodesk 教育版产品制作

G		H	
Engagement force	$\leq 50N$	Rated voltage	$\frac{2.5-3.0VDC}{2.5-3.0VDC}$
Disengagement force	$\geq 5N$	Rated current	$\frac{2.5-3.0mA}{2.5-3.0mA}$
Mechanical lifespan	$\geq 500$	Insulation resistance	$\geq 1000M\Omega$
IP rating	IP67/IP68	Contact resistance	$\leq 10m\Omega$
Flammability	UL94 V-0	Operation Temperature	$-40^{\circ}C \sim 105^{\circ}C$

PARTS	MATERIALS	TREATMENT	AMOUNT
A HOUSING	PA66+GF	GOLD PLATED	1
B CONTACT	BRASS	NICKEL PLATED	2*8
C NUT	BRASS		1

**Dongguan Changjun Electronics Co., LTD**  
**东莞市昌骏电子有限公司**

TITLE: H12防水型8芯插板公头(2.5.3.5.8.12间距)六角螺丝  
 PART NO: CJ-H12R(2.5.3.5.8.12)  
 SHEET: 1 / 1  
 SCALE: 1 : 1  
 UNIT: mm  
 SIZE: A4  
 REV: A/0  
 DRAWN: Xie Wenjun  
 CHECK: Long Jichang  
 DATE: 2022-01-05