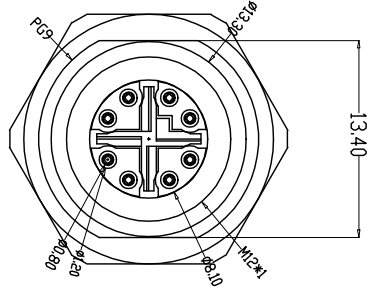
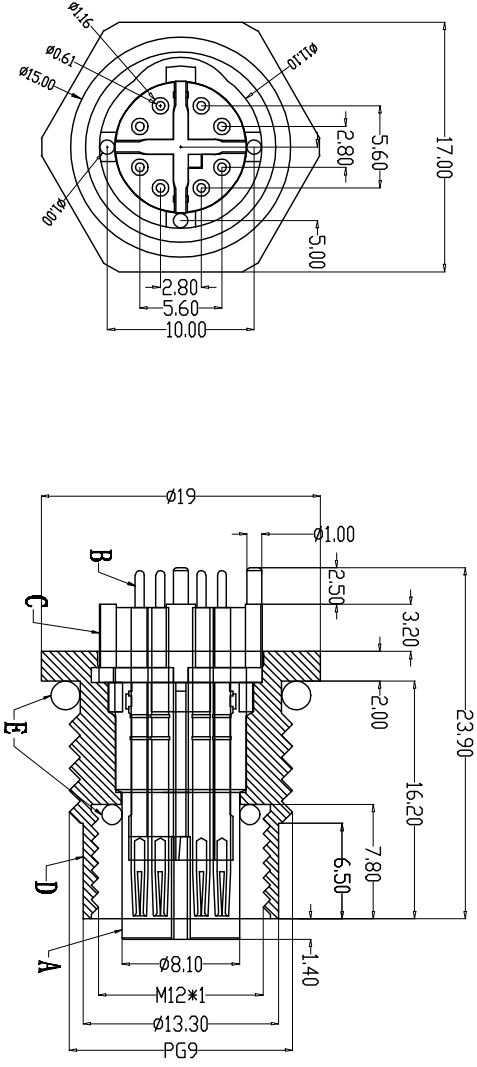
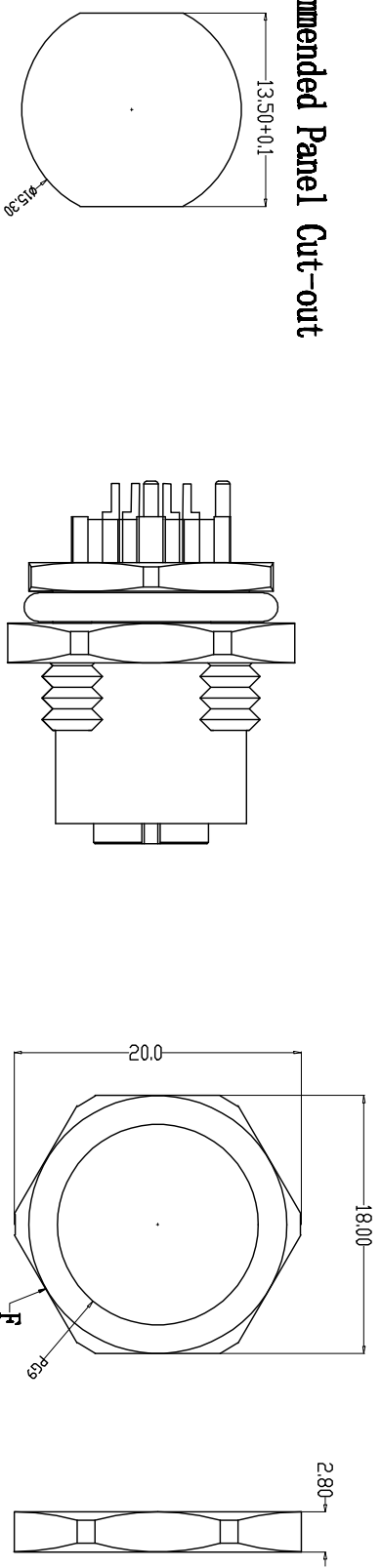


Recommended Panel Cut-out



G	Engagement force	≤50N	Rated voltage	48V
	Disengagement force	≥10N	Rated current	0.5A
	Mechanical lifespan	≥500	Insulation resistance	≥1000MΩ
	IP rating	IP67/IP68	Contact resistance	≤10mΩ
H	Flammability	UL94 V-0	Operation Temperature	-40° C~105° C

PARTS	MATERIALS	TREATMENT	AMOUNT
A HOUSING	PA66+GF	GOLD PLATED	1
B CONTACT	BRONZE		8
C OUTER CONTACT	ZINC ALLOY	NICKEL PLATED	1
D SHIELD	BRASS	NICKEL PLATED	1
E O-RING	EPDM	BLACK	2
F NUT	BRASS	NICKEL PLATED	1

Dongguan Changjun Electronics Co., LTD 东莞市昌骏电子有限公司			
TITLE: H12防水型标准母座-008 滑锁面板式3P SMT		TOLERANCE .xxx ±0.05 .xx ±0.10 .x ±0.20 ANGLES ±1°	
PART NO: GJ-H120094-008-001		DRAWING NO.: GJ-H120094	
SHEET: 1 / 1		SCALE: 1 : 1	
DRAWN: Xie Wenjun		CHECKED: Long Jichang	
DATE: 2022-01-05		UNIT: mm SIZE: A4 REV: A/0	