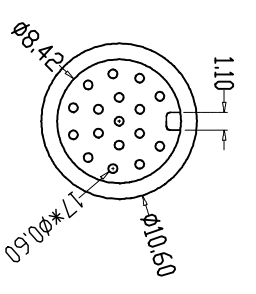
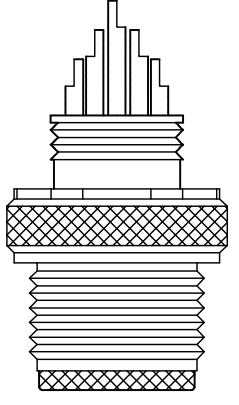
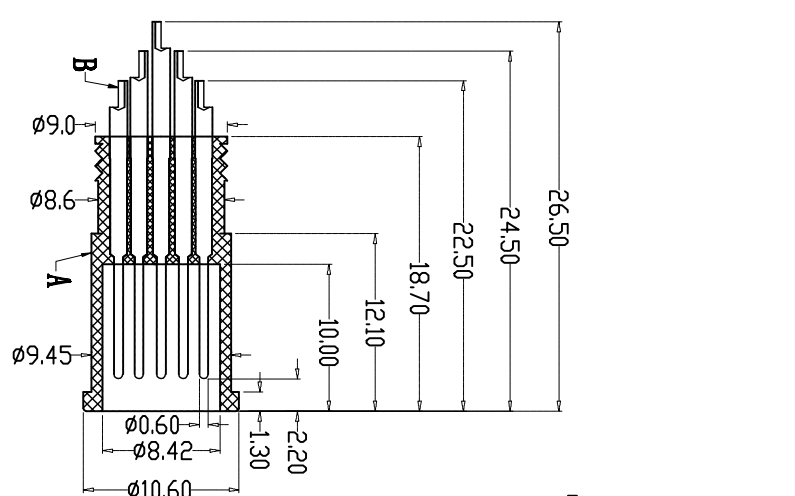
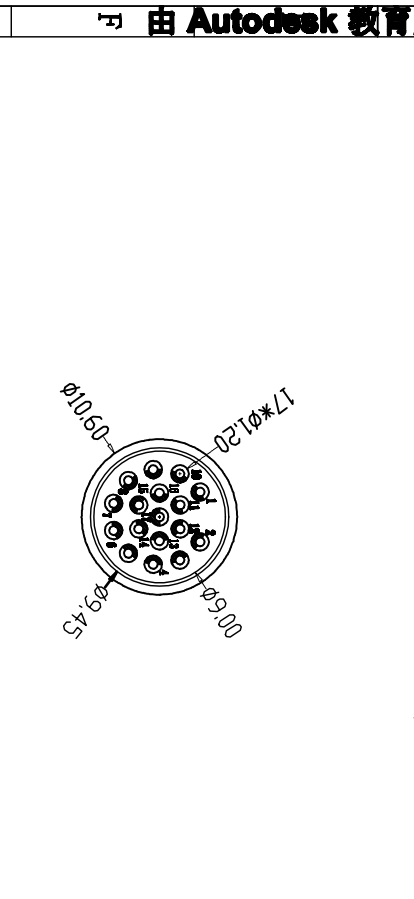
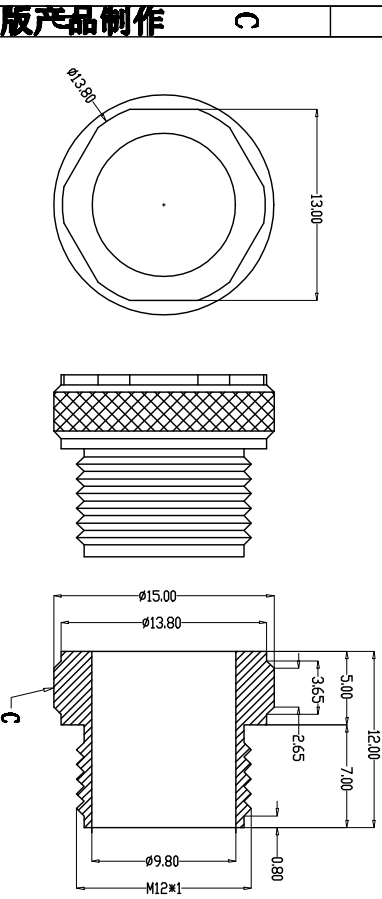


	1	2	3	4	5	6	7	8	
A	9pin	10pin	11pin	12pin	13pin	14pin	15pin	16pin	17pin
B									



由 Autodesk 教育版产品制作

由 Autodesk 教育版产品制作

G	Engagement force		≤50N	Rated voltage	30V
	Disengagement force		≥10N	Rated current	1.5A
	Mechanical lifespan		≥500	Insulation resistance	≥1000MΩ
H	IP rating		IP67/IP68	Contact resistance	≤10mΩ
	Flammability		UL94 V-0	Operation Temperature	-40° C~105° C
	1	2	3		

PARTS	MATERIALS	TREATMENT	AMOUNT
A HOUSING	PAGE6+GF	GOLD PLATED	1
B CONTACT	BRASS	BLACK	9~17
C NUT	POM		
D			
E			
F			

Dongguan Changjun Electronics Co., LTD		TOLERANCE	
东莞市昌骏电子有限公司		.xxx	±0.05
		.xx	±0.10
		.x	±0.20
		ANGLES	±1°
TITLE: M12防水9~17芯连接器头壳+12芯的DIN插针		PART NO:	DRAWING NO.:
DRAWN: Xie Wenjun		CHECKS: Long Jichang	DATE: 2022-01-05
SHEET: 1 / 1		SCALE: 1 : 1	UNIT: mm
SIZE: A4		REV: A/0	