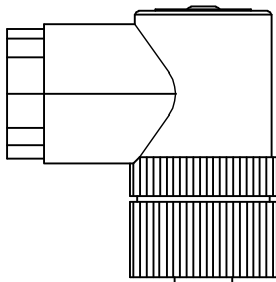
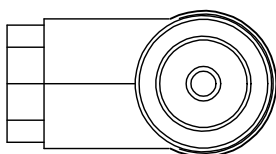
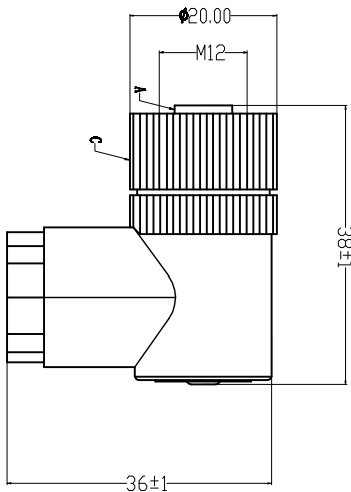
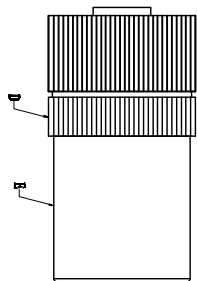
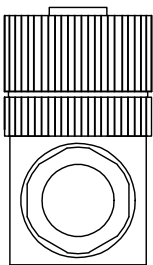


A	Pin位	1	2	3	4	5	6	7	8
	A-000E 图形								
	B-000E 图形								
	D-000E 图形								



C



C

F

由 Autodesk 教育版产品制作

F

由 Autodesk 教育版产品制作

PARTS	MATERIALS	TREATMENT	AMOUNT
A HOUSING	PA66+GF	SPECIFY COLOR	1
B CONTACT	BRASS	GOLD PLATED	2*8
C NUT	BRASS	NICKEL PLATED	1
D NUT	PA66+GF	SPECIFY COLOR	1
E SHELL	PA66+GF	SPECIFY COLOR	1

G

Engagement force	≤50N	Rated voltage	50VAC
Disengagement force	≥5N	Rated current	5A
Mechanical lifespan	≥500	Insulation resistance	≥1000MΩ
IP rating	IP67/IP68	Contact resistance	≤10mΩ
Flammability	UL94 V-0	Operation Temperature	-40° C~105° C

G

Dongguan Junhao Interconnection Technology Co., Ltd
东莞市俊豪互联科技有限公司

TITLE: M12防水型线插接头 插针式考头

TOLERANCE: ±0.05, ±0.10, ±0.20, ±0.50, ±1°
PART NO: M12-001-001
DRAWING NO.: GP-M120193
SHEET: 1/1
SCALE: 1:1
UNIT: mm
SIZE: A4
REV: A/0
DATE: 2022-07-01
DRAWN: Xie Wenjun
CHECK: Long Jichang

H

H

由 Autodesk 教育版产品制作

H