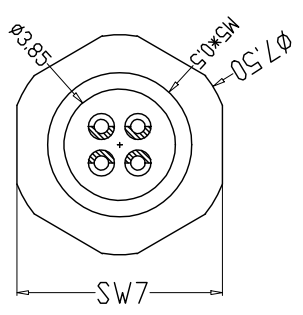
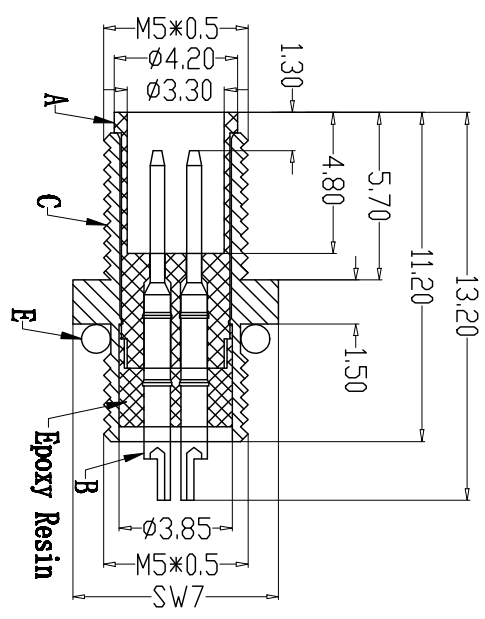
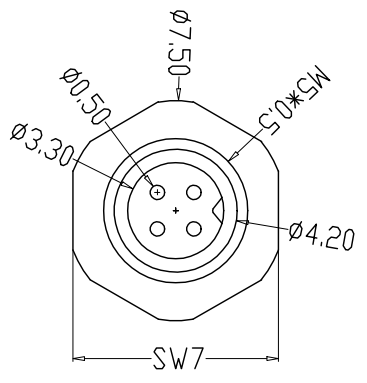
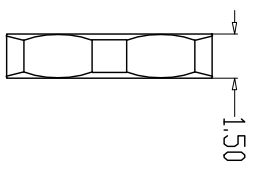
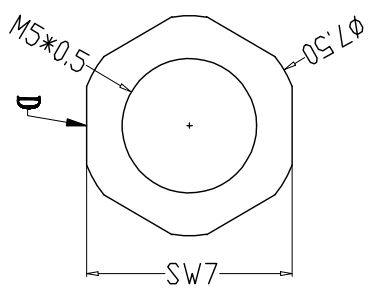
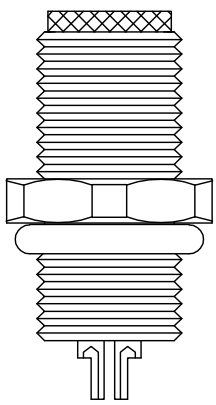
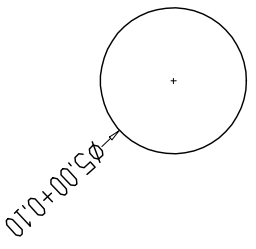


A	PIN数	1	2	3
	图 形			

Recommended Panel Cut-out



由 Autodesk 教育版产品制作

由 Autodesk 教育版产品制作

PARTS	MATERIALS	TREATMENT	AMOUNT
A HOUSING	PA66+GF	GOLD PLATED	1
B CONTACT	BRASS	GOLD PLATED	2~4
C OUTER CONTACT	BRASS	NICKEL PLATED	1
D NUT	BRASS	NICKEL PLATED	1
E O-RING	EPDM	BLACK	1

TOLERANCE .xxx .xx .x x ANGLE ± 1°		TITLE: M5防水2~4线端子 后面板式45 SW7 PART NO.: C7-MATER-Q-2018-HS07 SHEET: 1 / 1 SCALE: 1 : 1 UNIT: mm SIZE: A4 REV: A/0	
DONGGUAN CHANGJUN ELECTRONICS CO., LTD 东莞市昌骏电子有限公司		DRAWN: Xie Wenjun CHECK: Long Jibang DATE: 2022-01-05	DRAWING NO.: C7-1650005