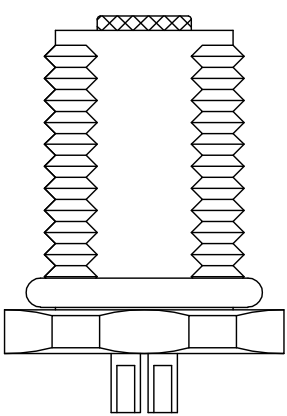
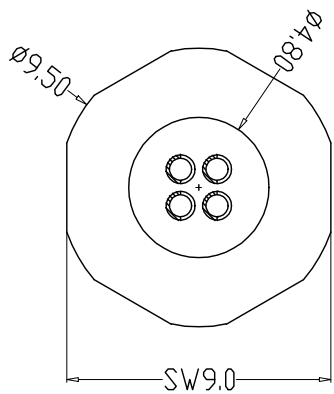
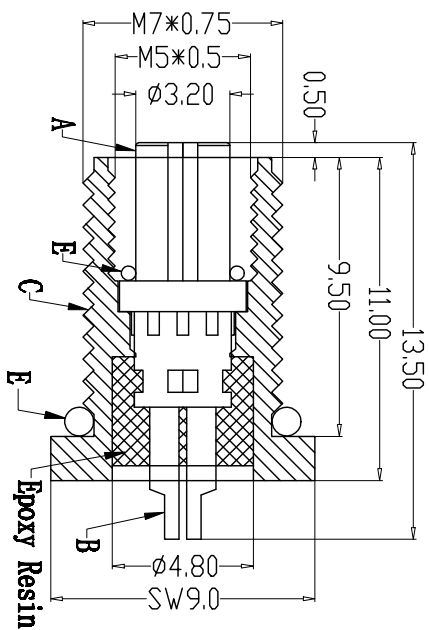
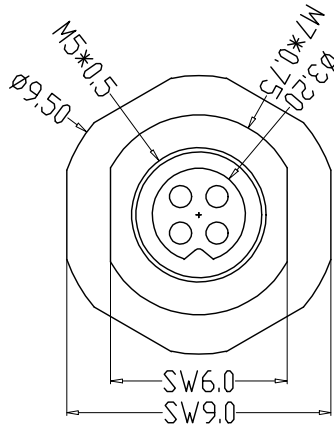
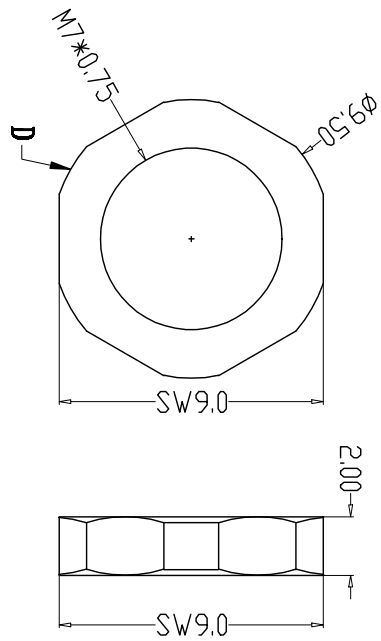
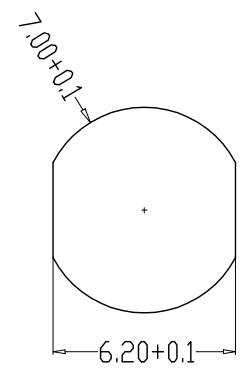


A	PIN数	1	2	3	4
	图 形				

Recommended Panel Cut-out



由 Autodesk 教育版产品制作

由 Autodesk 教育版产品制作

PARTS	MATERIALS	TREATMENT	AMOUNT
A HOUSING	PA66+GF	GOLD PLATED	1
B CONTACT	BRONZE	NICKEL PLATED	2*4
C OUTER CONTACT	BRASS	NICKEL PLATED	1
D NUT	BRASS	NICKEL PLATED	1
E O-RING	EPDM	BLACK	2

Engagement force $\leq 30N$		Rated voltage 60V	
Disengagement force $\geq 5N$		Rated current 1A	
Mechanical lifespan ≥ 500		Insulation resistance $\geq 1000M\Omega$	
IP rating IP67/IP68		Contact resistance $\leq 10m\Omega$	
Flammability UL94 V-0		Operation Temperature $-40^{\circ}C \sim 105^{\circ}C$	

Dongguan Changjun Electronics Co., Ltd
 东莞市昌骏电子有限公司

TOLERANCE .xxx ±0.05 .xx ±0.10 .x ±0.20 ANGLES ±1°		TITLE: M5防水2*4线端母头 前铁面款式17 SWPT PART NO.: QTY: 1 / 1	
DRAWN: Xie Junjun		CHECKS: Long Jibang	
DATE: 2022-01-05		DRAFTING NO.: CP-1650009 UNIT: mm SIZE: REV A/0	