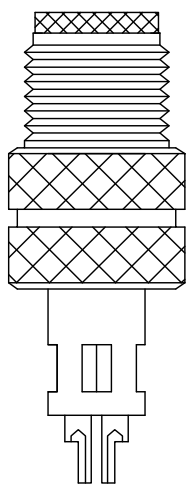
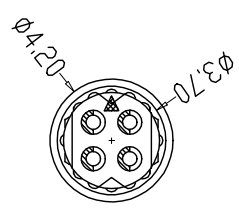
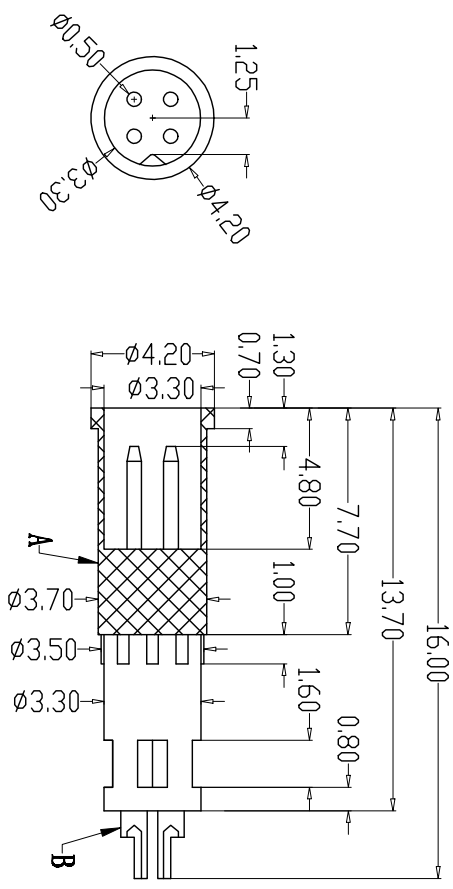
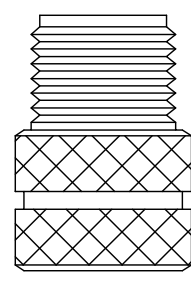
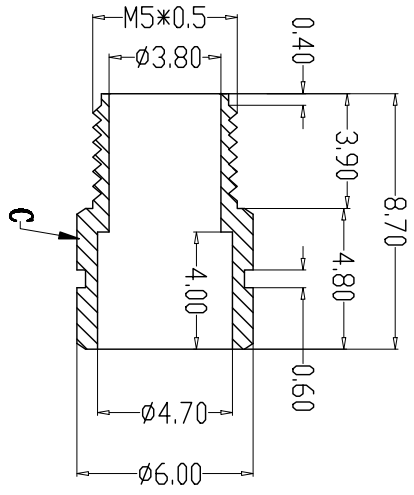
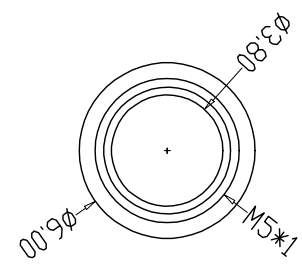


A	PIN数	1	2	3	4
	图 形				



由 Autodesk 教育版产品制作

G	Engagement force	≤30N	Rated voltage	60V
	Disengagement force	≥5N	Rated current	1A
	Mechanical lifespan	≥500	Insulation resistance	≥1000M Ω
H	IP rating	IP67/IP68	Contact resistance	≤10m Ω
	Flammability	UL94 V-0	Operation Temperature	-40° C~105° C

PARTS		MATERIALS		TREATMENT		AMOUNT	
A	HOUSING	PAGE68F	BRASS	GOLD PLATED		1	2*4
B	CONTACT		BRASS	NICKEL PLATED		1	
C	NUT		BRASS	NICKEL PLATED		1	
D			BRASS	NICKEL PLATED		1	
E			BRASS	NICKEL PLATED		1	
F			BRASS	NICKEL PLATED		1	

Dongguan Changjun Electronics Co., Ltd
 东莞市昌骏电子有限公司

TITLE: 防水2*4线端插头+网纹螺丝
 PART NO: CJ-WATER*Q-M1
 DRAWING NO.: CJ-W50001
 SHEET: 1 / 1
 SCALE: 1 : 1
 UNIT: mm
 SIZE: REV A/0
 DATE: 2022-01-05

1

2

3

6

7

8