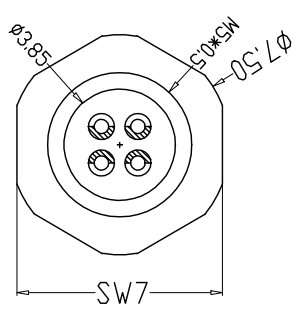
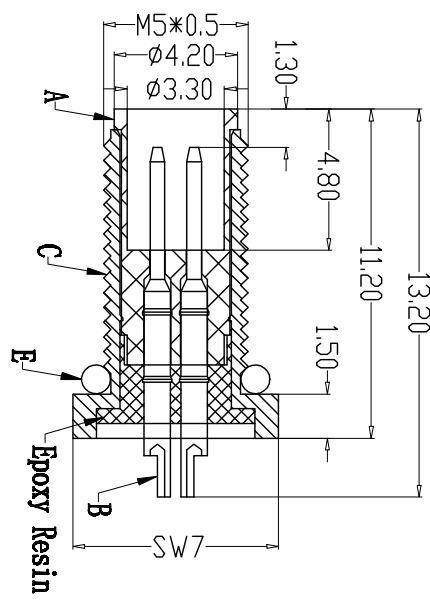
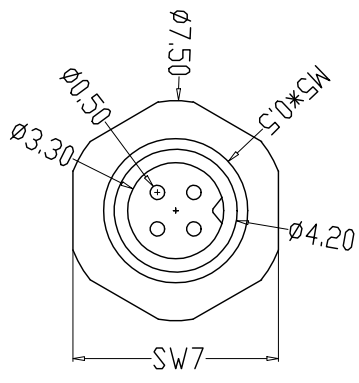
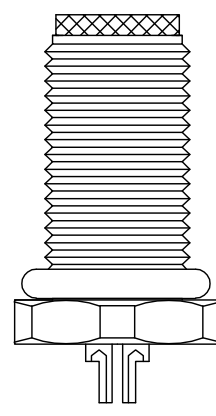
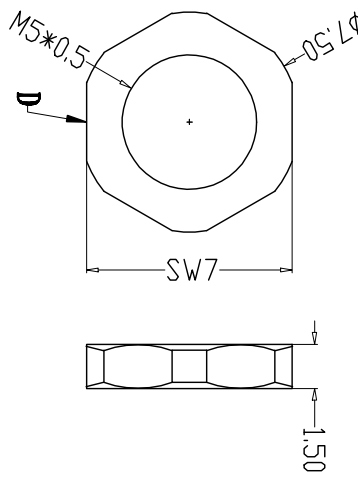
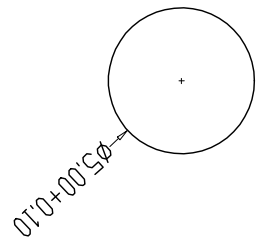


A	PIN数	1	2	3	4
图	形				

Recommended Panel Cut-out



G	Engagement force	≤30N	Rated voltage	60V
	Disengagement force	≥5N	Rated current	1A
	Mechanical lifespan	≥500	Insulation resistance	≥1000M $\Omega$
H	IP rating	IP67/IP68	Contact resistance	≤10m $\Omega$
	Flammability	UL94 V-0	Operation Temperature	-40° C~105° C

PARTS		MATERIALS	TREATMENT	AMOUNT
A	HOUSING	PAGE68F	GOLD PLATED	1
B	CONTACT	BRASS	NICKEL PLATED	2*4
C	OUTER CONTACT	BRASS	NICKEL PLATED	1
D	NUT	BRASS	NICKEL PLATED	1
E	O-RING	EPDM	BLACK	1

Dongguan Changjun Electronics Co., Ltd  
 东莞市昌骏电子有限公司

TOLERANCE		TITLE:	
.xxx	±0.05	防水2*4线端公头 前镀面板式M5 SW7	
.xx	±0.10	PART NO:	
.x	±0.20	CS-KALC(2*4)-M04-M5M7	
ANGLE	±1°	DRAWING NO.:	
		CS-1650004	
		SHEET: 1 / 1	
		SCALE: 1 : 1	
		UNITS: mm	
		SIZE: A4	
		REV: A/0	
		DATE: 2022-01-05	