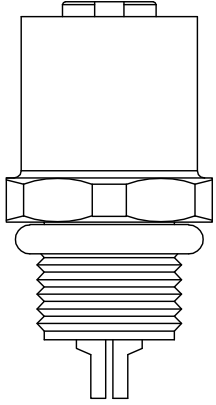
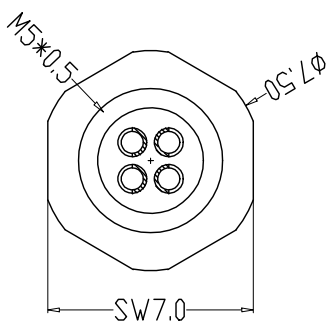
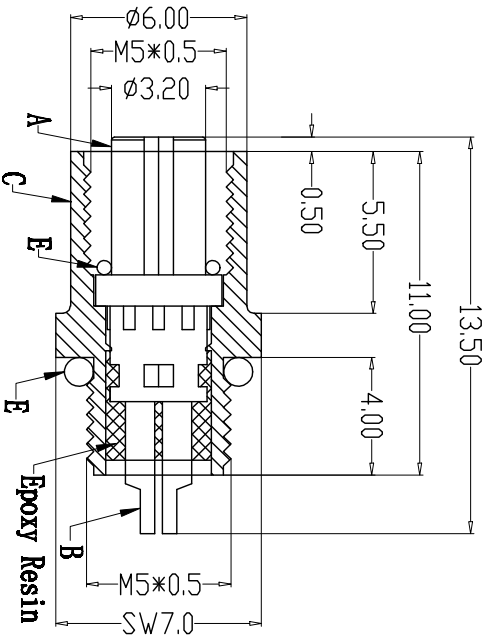
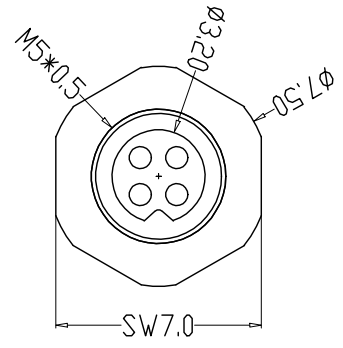
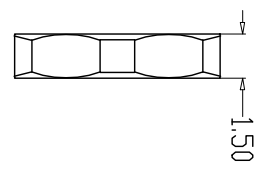
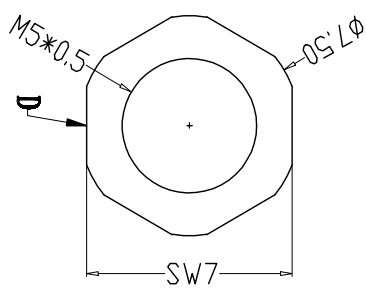
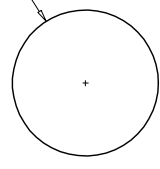


|   |      |   |   |   |   |
|---|------|---|---|---|---|
| A | PIN数 | 1 | 2 | 3 | 4 |
|   | 图 形  |   |   |   |   |



Recommended Panel Cut-out



|   |                     |           |                       |                 |
|---|---------------------|-----------|-----------------------|-----------------|
| G | Engagement force    | ≤30N      | Rated voltage         | 60V             |
|   | Disengagement force | ≥5N       | Rated current         | 1A              |
|   | Mechanical lifespan | ≥500      | Insulation resistance | ≥1000M $\Omega$ |
|   | IP rating           | IP67/IP68 | Contact resistance    | ≤10m $\Omega$   |
|   | Flammability        | UL94 V-0  | Operation Temperature | -40° C~105° C   |

| PARTS           | MATERIALS | TREATMENT     | AMOUNT |
|-----------------|-----------|---------------|--------|
| A HOUSING       | PA66+GF   | GOLD PLATED   | 1      |
| B CONTACT       | BRONZE    | NICKEL PLATED | 2*4    |
| C OUTER CONTACT | BRASS     | NICKEL PLATED | 1      |
| D NUT           | BRASS     | NICKEL PLATED | 1      |
| E O-RING        | EPDM      | BLACK         | 2      |

|  |  |                        |  |
|--|--|------------------------|--|
| Dongguan Changjun Electronics Co., Ltd |  | 东莞市昌骏电子有限公司            |  |
| TITLE: M5防水2*4线端接头 后锁面板式M5 SW7         |  |                        |  |
| PART NO: GJ-HA167(2*4)-01E-M5SW7       |  | DRAWING NO.: GJ-H50010 |  |
| SHEET: 1 / 1                           |  | SCALE: 1 : 1           |  |
| DRAWN: Xie Wenjun                      |  | CHECKED: Long Jibang   |  |
| DATE: 2022-01-05                       |  | REV: A/0               |  |