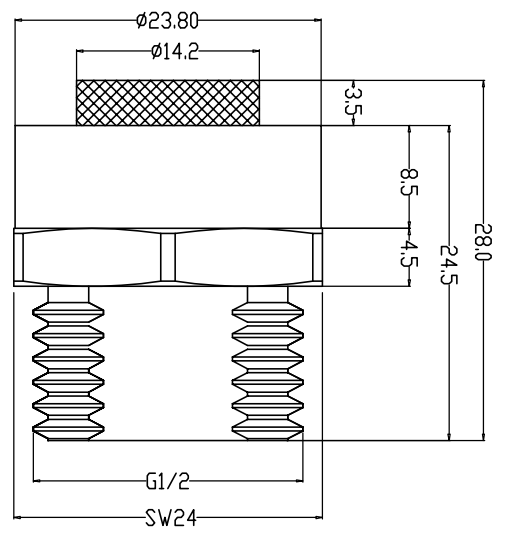
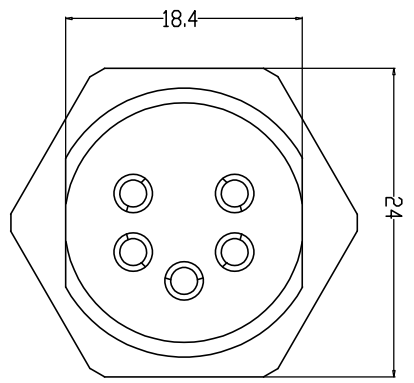
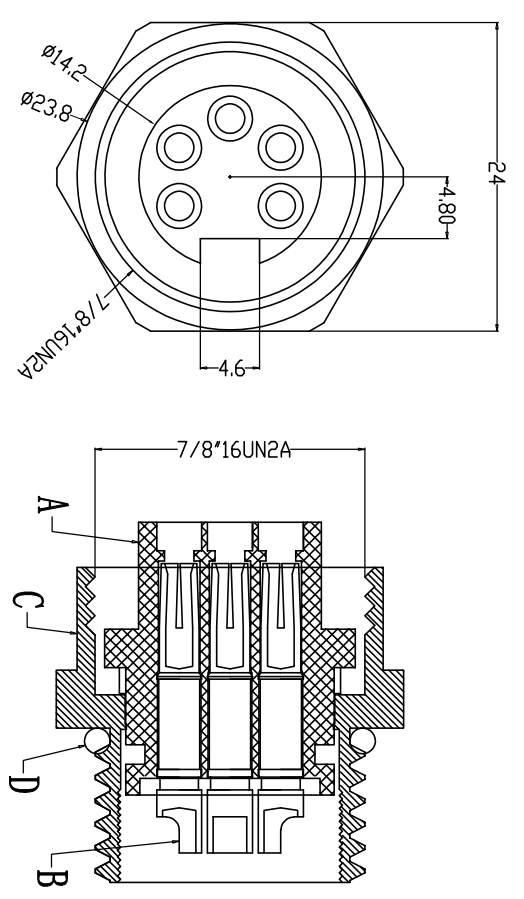
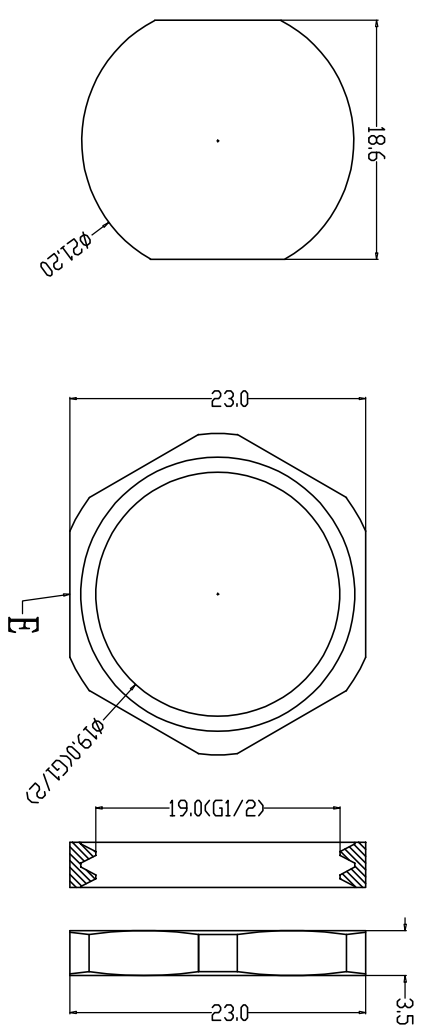


Recommended Panel Cut-out



	1	2	3	4	5	6	7	8
A	3pin	4pin	5pin	6pin				
B	图形							
C								
D								
E								
F								
G								
H								
I								

	A	B	C	D	E	F
Engagement force	≤60N	Rated voltage	250V			
Disengagement force	≥20N	Rated current	20A			
Mechanical lifespan	≥500	Insulation resistance	≥1000M Ω			
IP rating	IP67/IP68	Contact resistance	≤20m Ω			
Flammability	UL94 V-0	Operation Temperature	-40° C~105° C			

PARTS	MATERIALS	TREATMENT	AMOUNT
A HOUSING	PA66+GF	GOLD PLATED	1
B CONTACT	BRASS	NICKL PLATED	3~6
C OUTER CONTACT	BRASS	BLACK	1
D O-RING	EPPDM	NICKL PLATED	1
E NUT	BRASS		1

Dongguan Changjun Electronics Co., LTD
 东莞市昌俊电子有限公司

TITLE: 7/8-16UN2A防水3芯接线端子 后锁面板式G1/2 SW24后锁胶

PART NO: G1-23ANR1(3)*9-F0H-G1/2SW24

SHEET: 1 / 1

SCALE: 1 : 1

DRAWING NO.: CP-4230026

UNIT: mm

SIZE: A4

REV: A/0

DATE: 2024-05-20

DRAWN: Xie Wenjun

CHECK: Long Jichang