

1 2 3 4 5 6 7 8

A A

B B

C C

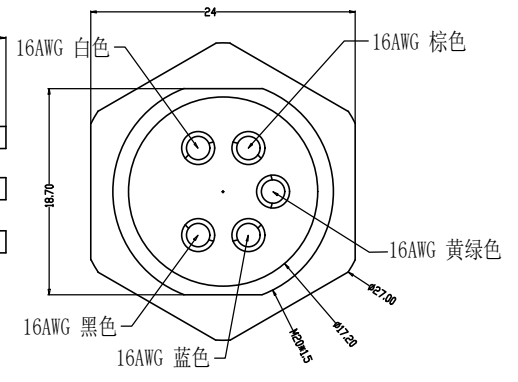
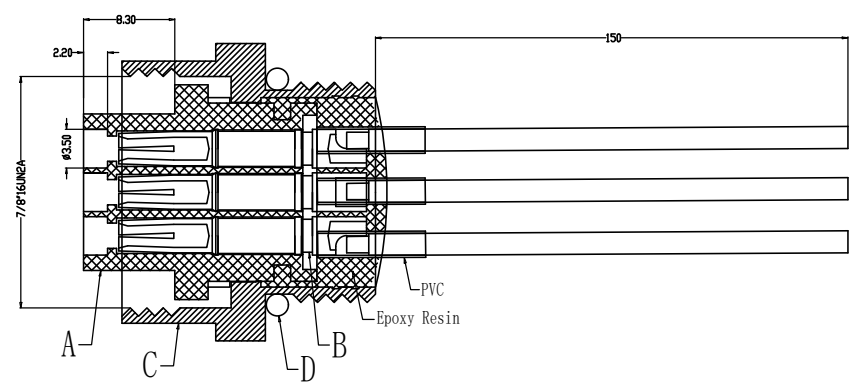
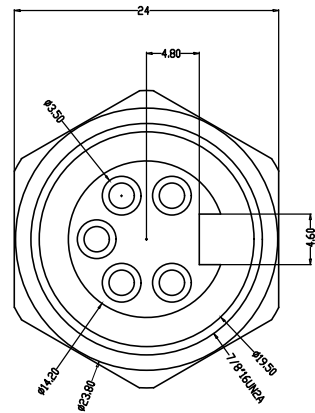
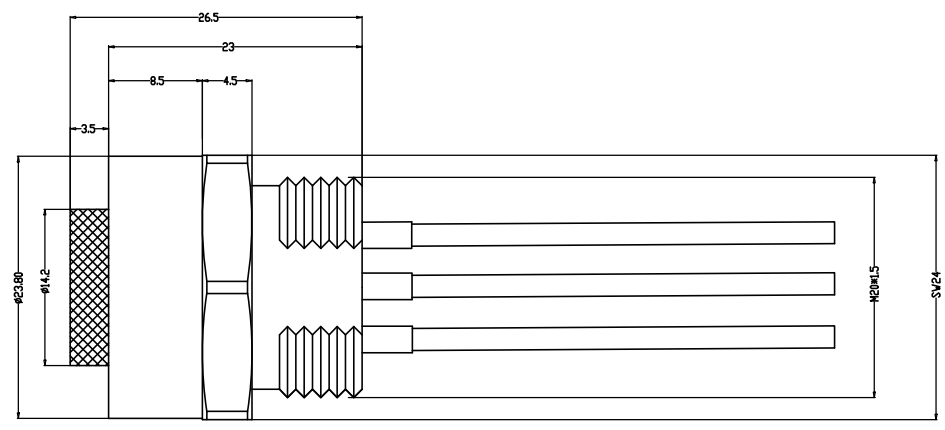
D D

E E

F F

G G

H H



PARTS	MATERIALS	TREATMENT	AMOUNT	
A	HOUSING	PA66+GF	SPECIFY COLOR	1
B	CONTACT	BRASS	GOLD PLATED	3~5
C	OUTER CONTACT	BRASS	NICKL PLATED	1
D	O-RING	EPDM	BLACK	1
E				
F				

Dongguan Changjun Electronics Co., LTD
东莞市昌骏电子有限公司

TITLE: 7/8-16UNZA防水5P线端母头 后锁面板式M20 SW24T带线

PART NO:	DRAWING NO.:
CJ-M23AAX(3*5)-F01H-M20SW24T	CP-M230009
SHEET: 1 / 1	SCALE: 1 : 1
UNIT: mm	SIZE: A4
DRAWN: Xie Wenjun	CHECK: Long Jichang
DATE: 2022-12-12	

Engagement force	≤60N	Rated volage	250V
Disengagement force	≥20N	Rated current	20A
Mechanical lifespan	≥500	Insulation resistance	≥1000M Ω
IP rating	IP67/IP68	Contact resistance	≤20m Ω
Flammability	UL94 V-0	Operation Temperature	-40° C~105° C

1 2 3 4 5 6 7 8