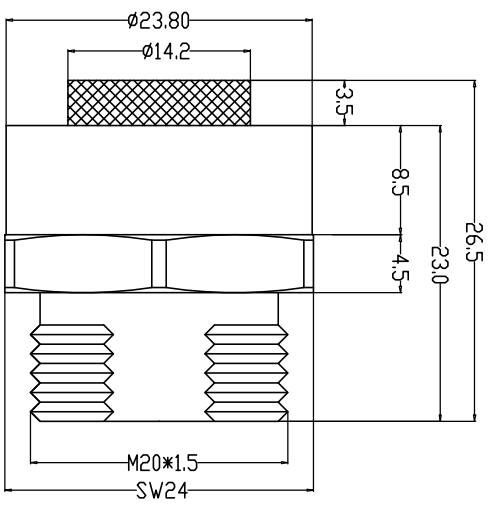
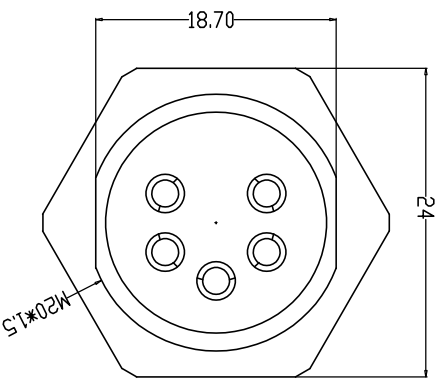
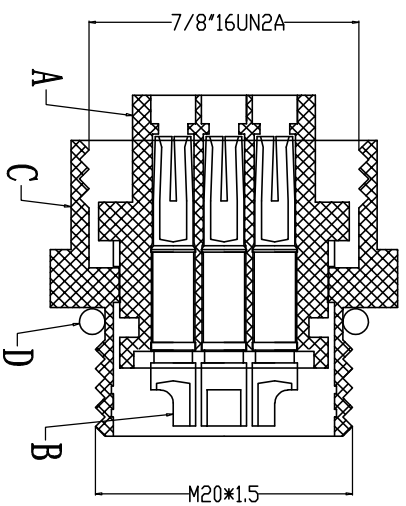
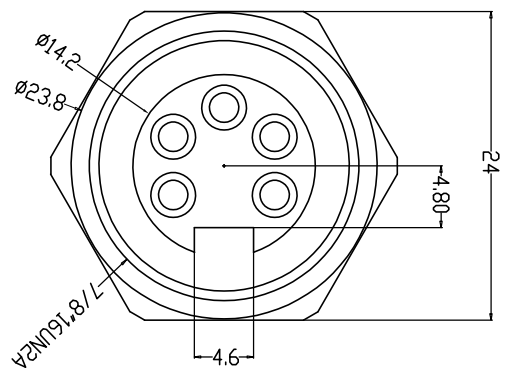
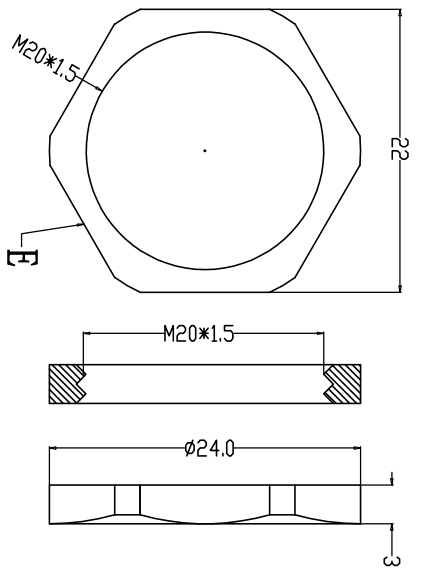
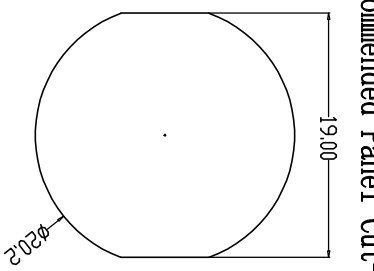


图形

Recommended Panel Cut-out



A	3pin	4pin	5pin	6pin
B	图形			
C				
D				
E				
F				
G				
H				
I				
	Engagement force	≤60N	Rated voltage	250V
	Disengagement force	≥20N	Rated current	20A
	Mechanical lifespan	≥500	Insulation resistance	≥1000M Ω
	IP rating	IP67/IP68	Contact resistance	≤20m Ω
	Flammability	UL94 V-0	Operation Temperature	-40° C~105° C

PARTS	MATERIALS	TREATMENT	AMOUNT
A HOUSING	PA66+GF	GOLD PLATED	1
B CONTACT	BRASS	NICKL PLATED	3~6
C OUTER CONTACT	BRASS	BLACK	1
D O-RING	EPPDM	NICKL PLATED	1
E NUT	BRASS		1

Dongguan Changjun Electronics Co., LTD
东莞市昌俊电子有限公司

7/8-16UN2A防水3芯线端头 后面板式M20 SW24后灌胶

TITLE:	TITLE:
PART NO:	DRAWING NO.:
CP-4230007	CP-4230007
SCALE:	SCALE:
1:1	1:1
UNIT:	UNIT:
mm	mm
SIZE:	SIZE:
A4	A4
REV:	REV:
A/0	A/0
DATE:	DATE:
2022-11-23	2022-11-23

DRAWN: Xie Wenjun CHECK: Long Jichang