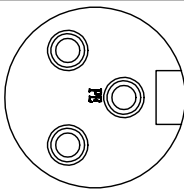
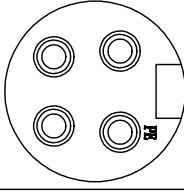
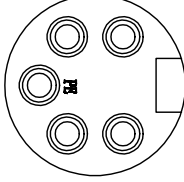
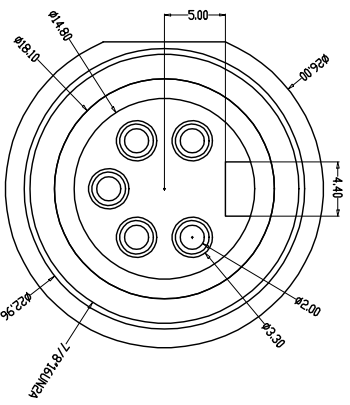
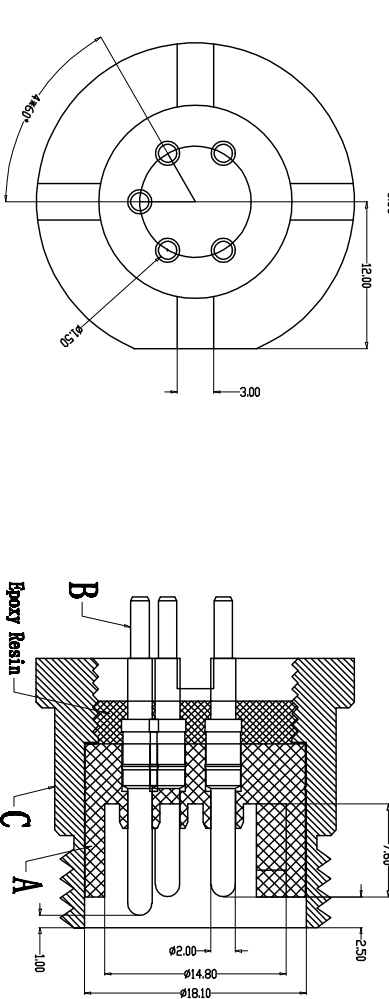
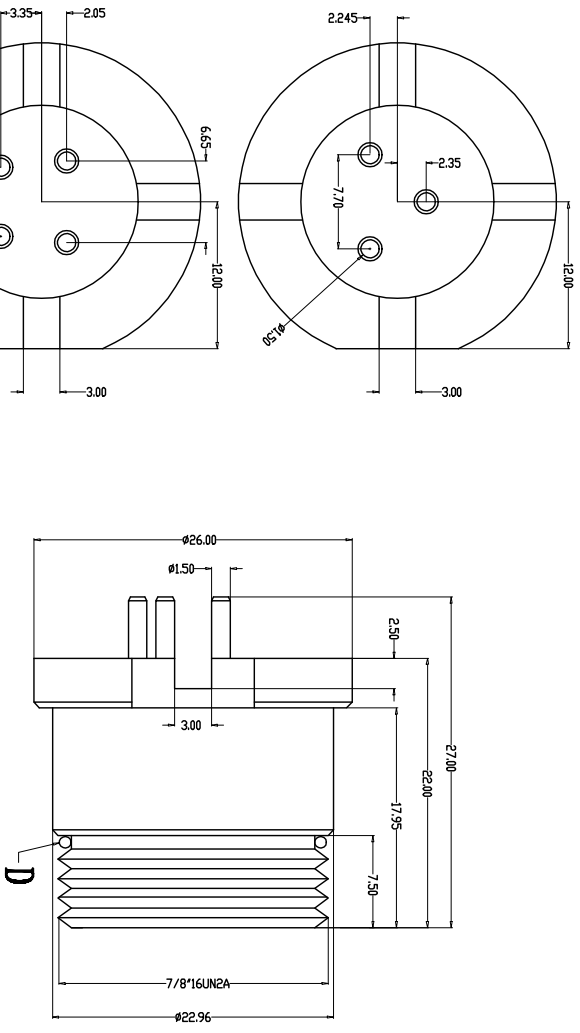


	6	7	8
图形	3pin	4pin	5pin
			



A	1	2	3																				
B																							
C																							
F																							
G	<table border="1"> <tr> <th>PARTS</th> <th>MATERIALS</th> <th>TREATMENT</th> <th>AMOUNT</th> </tr> <tr> <td>A HOUSING</td> <td>PA66+GF</td> <td>GOLD PLATED</td> <td>1</td> </tr> <tr> <td>B CONTACT</td> <td>BRASS</td> <td></td> <td>3*5</td> </tr> <tr> <td>C OUTER CONTACT</td> <td>BRASS</td> <td>NICKEL PLATED</td> <td>1</td> </tr> <tr> <td>D O-RING</td> <td>EPDM</td> <td>BLACK</td> <td>1</td> </tr> </table>			PARTS	MATERIALS	TREATMENT	AMOUNT	A HOUSING	PA66+GF	GOLD PLATED	1	B CONTACT	BRASS		3*5	C OUTER CONTACT	BRASS	NICKEL PLATED	1	D O-RING	EPDM	BLACK	1
PARTS	MATERIALS	TREATMENT	AMOUNT																				
A HOUSING	PA66+GF	GOLD PLATED	1																				
B CONTACT	BRASS		3*5																				
C OUTER CONTACT	BRASS	NICKEL PLATED	1																				
D O-RING	EPDM	BLACK	1																				
H	1	2	3																				
	Engagement force	≤60N	Rated voltage																				
	Disengagement force	≥20N	Rated current																				
	Mechanical lifespan	≥500	Insulation resistance																				
	IP rating	IP67/IP68	Contact resistance																				
	Flammability	UL94 V-0	Operation Temperature																				
			-40° C~105° C																				

<p>Dongguan Changjun ElectronicsCo., LTD 东莞市昌骏电子有限公司</p>			
TITILE: 7/8-16UN2A*5*2.50		DRAWING NO.: CP-1230005	
PART NO: CP-1230005(3)-H11		DRAFTING NO.: CP-1230005	
SHEET: 1 / 1		SCALE: 1 : 1	
DRAWN: Xie Wenjun		CHECK: Long Jibang	
DATE: 2022-11-11		REV: A/0	