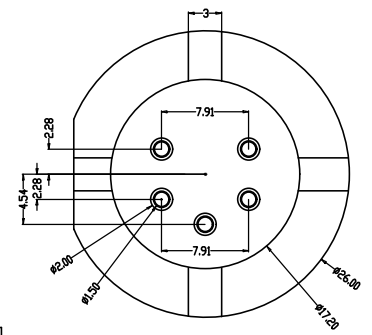
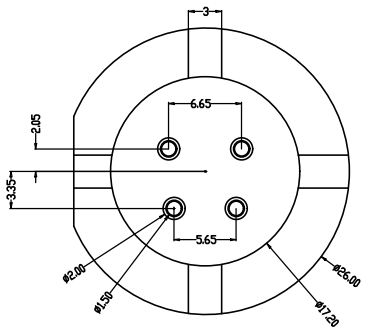
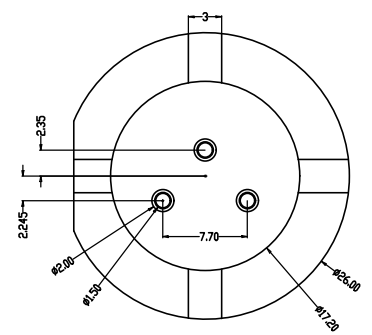
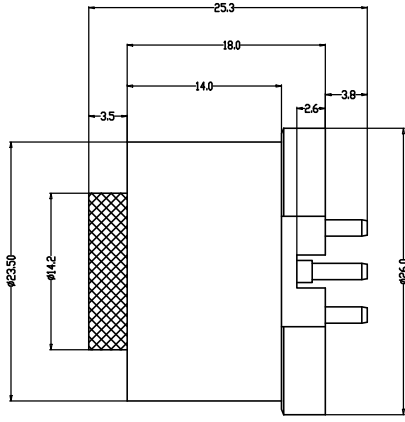
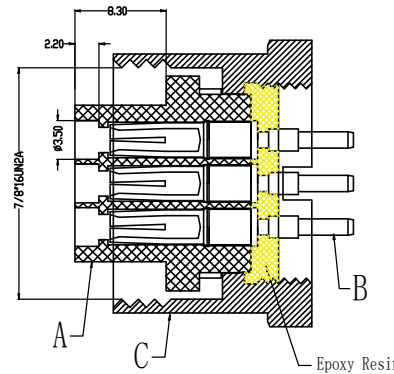
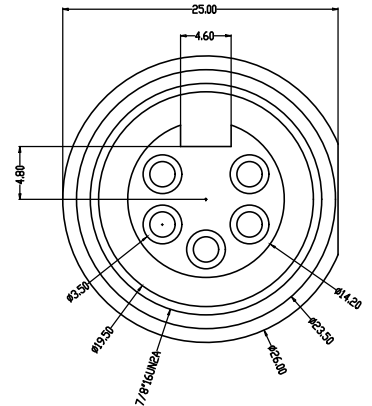
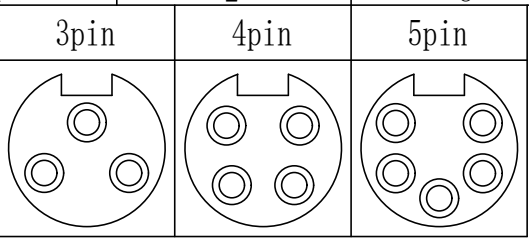


图形



PARTS	MATERIALS	TREATMENT	AMOUNT	
A	HOUSING	PA66+GF	SPECIFY COLOR	1
B	CONTACT	BRASS	GOLD PLATED	3~5
C	OUTER CONTACT	BRASS	NICKL PLATED	1
D				
E				
F				

Engagement force	$\leq 60\text{N}$	Rated volage	250V
Disengagement force	$\geq 20\text{N}$	Rated current	20A
Mechanical lifespan	≥ 500	Insulation resistance	$\geq 1000\text{M}\Omega$
IP rating	IP67/IP68	Contact resistance	$\leq 20\text{m}\Omega$
Flammability	UL94 V-0	Operation Temperature	$-40^{\circ}\text{C}\sim 105^{\circ}\text{C}$

Dongguan Changjun Electronics Co., LTD 东莞市昌骏电子有限公司			
TITLE: 7/8-16UNZA防水3~5P板端母头 F26T-25.3L			
PART NO: CJ-M230BX(3~5)-F11-F26T-25.3		DRAWING NO.: CP-M230011	
SHEET: 1 / 1	SCALE: 1 : 1	UNIT: mm	SIZE: A4
DRAWN: Xie Wenjun	CHECK: Long Jichang	DATE: 2022-12-16	REV: A/0

TOLERANCE	.xxx ± 0.05
	.xx ± 0.10
	.x ± 0.30
	x ± 0.50
ANGLE	$\pm 1^{\circ}$