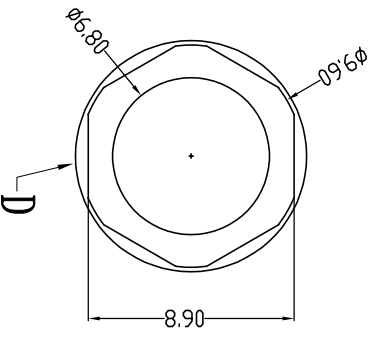
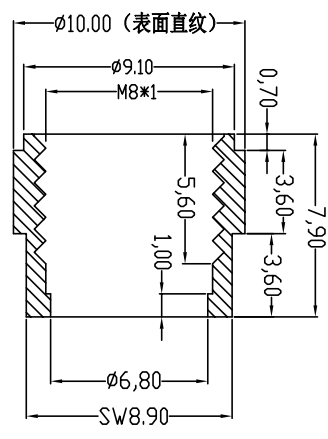
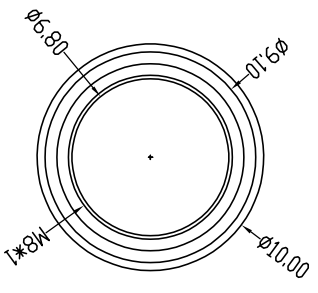
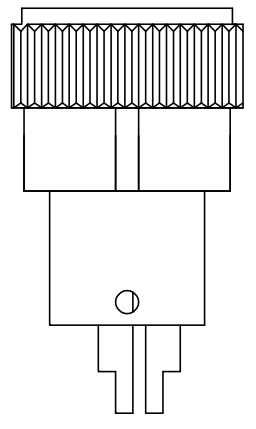
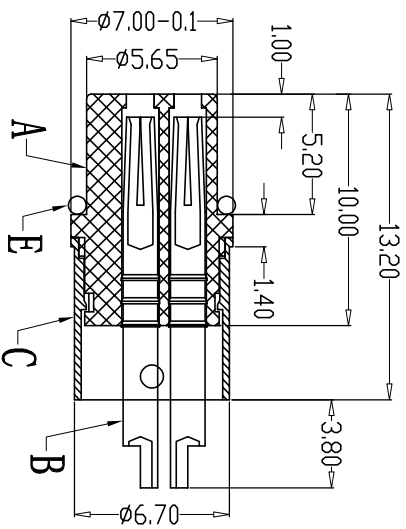
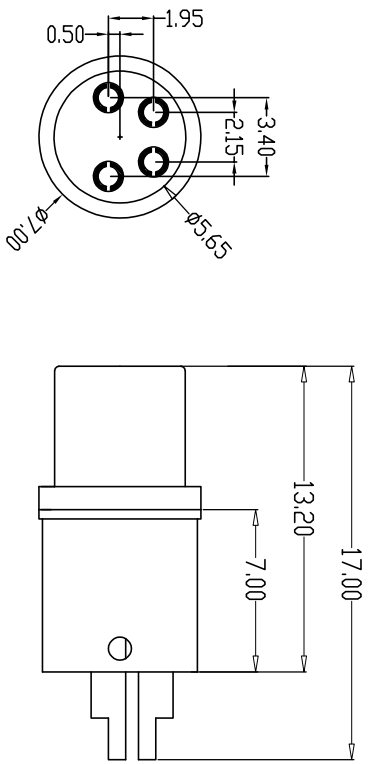


A	图形		2pin		2pin		3pin		3pin		4pin		4pin		4pin		5pin		6pin		8pin
B	CODE	A-code	A-防呆	A-code	A-防呆	A-code	A-防呆	A-code	A-防呆	A-code	A-防呆	D-code	B-code	A-code	A-code						
	适配值	1.00	1.00	1.00	1.00	1.00	1.00	1.00	1.00	1.00	1.00	0.80	1.00	0.72	0.60						



PARTS		MATERIALS		TREATMENT		AMOUNT																																													
A	HOUSING	PA66+GF		GOLD PLATED		1																																													
B	CONTACT	BRASS		NICKEL PLATED		2~8																																													
C	SHIELD	BRASS		NICKEL PLATED		1																																													
D	NUT	BRASS		NICKEL PLATED		1																																													
E	O-RING	EPPDM		SPECIFY COLOR		1																																													
<table border="1"> <tr> <td>Engagement force</td> <td>≤30N</td> <td>Rated voltage</td> <td>2-5pin:60V DC 6-8pin:30V DC</td> </tr> <tr> <td>Disengagement force</td> <td>≥5N</td> <td>Rated current</td> <td>2-5pin:4A 6-8pin:2A</td> </tr> <tr> <td>Mechanical lifespan</td> <td>≥500</td> <td>Insulation resistance</td> <td>≥1000M Ω</td> </tr> <tr> <td>IP rating</td> <td>IP67/IP68</td> <td>Contact resistance</td> <td>≤10m Ω</td> </tr> <tr> <td>Flammability</td> <td>UL94 V-0</td> <td>Operation Temperature</td> <td>-40° C~105° C</td> </tr> </table>								Engagement force	≤30N	Rated voltage	2-5pin:60V DC 6-8pin:30V DC	Disengagement force	≥5N	Rated current	2-5pin:4A 6-8pin:2A	Mechanical lifespan	≥500	Insulation resistance	≥1000M Ω	IP rating	IP67/IP68	Contact resistance	≤10m Ω	Flammability	UL94 V-0	Operation Temperature	-40° C~105° C																								
Engagement force	≤30N	Rated voltage	2-5pin:60V DC 6-8pin:30V DC																																																
Disengagement force	≥5N	Rated current	2-5pin:4A 6-8pin:2A																																																
Mechanical lifespan	≥500	Insulation resistance	≥1000M Ω																																																
IP rating	IP67/IP68	Contact resistance	≤10m Ω																																																
Flammability	UL94 V-0	Operation Temperature	-40° C~105° C																																																
PARTS		MATERIALS		TREATMENT		AMOUNT																																													
<table border="1"> <tr> <td colspan="4">TOLERANCE</td> </tr> <tr> <td>.xxx</td> <td>±0.05</td> <td colspan="2"></td> </tr> <tr> <td>.xx</td> <td>±0.10</td> <td colspan="2"></td> </tr> <tr> <td>x</td> <td>±0.30</td> <td colspan="2"></td> </tr> <tr> <td>x</td> <td>±0.50</td> <td colspan="2"></td> </tr> <tr> <td colspan="4">ANGLE</td> </tr> <tr> <td>±1°</td> <td colspan="3"></td> </tr> </table>								TOLERANCE				.xxx	±0.05			.xx	±0.10			x	±0.30			x	±0.50			ANGLE				±1°																			
TOLERANCE																																																			
.xxx	±0.05																																																		
.xx	±0.10																																																		
x	±0.30																																																		
x	±0.50																																																		
ANGLE																																																			
±1°																																																			
<table border="1"> <tr> <td>DRAWN:</td> <td>Xie Wenjun</td> <td>CHECK:</td> <td>Long Jichang</td> <td>DATE:</td> <td>2023-07-22</td> </tr> </table>								DRAWN:	Xie Wenjun	CHECK:	Long Jichang	DATE:	2023-07-22																																						
DRAWN:	Xie Wenjun	CHECK:	Long Jichang	DATE:	2023-07-22																																														
<table border="1"> <tr> <td colspan="4">TITLE:</td> </tr> <tr> <td colspan="4">Dongguan Changjun Electronics Co., Ltd</td> </tr> <tr> <td colspan="4">东莞市昌骏电子有限公司</td> </tr> <tr> <td colspan="4">PART NO: 8P防水8P线端子壳底座*7.9L六角直纹螺母</td> </tr> <tr> <td colspan="4">CJ-M8CXB(2*8)-F15PB-7L</td> </tr> <tr> <td colspan="4">SHEET: 1 / 1</td> </tr> <tr> <td colspan="4">SCALE: 1 : 1</td> </tr> <tr> <td colspan="4">DRAWING NO.: CP-1880103</td> </tr> <tr> <td colspan="4">UNIT: mm</td> </tr> <tr> <td colspan="4">SIZE: A4</td> </tr> <tr> <td colspan="4">REV: A/0</td> </tr> </table>								TITLE:				Dongguan Changjun Electronics Co., Ltd				东莞市昌骏电子有限公司				PART NO: 8P防水8P线端子壳底座*7.9L六角直纹螺母				CJ-M8CXB(2*8)-F15PB-7L				SHEET: 1 / 1				SCALE: 1 : 1				DRAWING NO.: CP-1880103				UNIT: mm				SIZE: A4				REV: A/0			
TITLE:																																																			
Dongguan Changjun Electronics Co., Ltd																																																			
东莞市昌骏电子有限公司																																																			
PART NO: 8P防水8P线端子壳底座*7.9L六角直纹螺母																																																			
CJ-M8CXB(2*8)-F15PB-7L																																																			
SHEET: 1 / 1																																																			
SCALE: 1 : 1																																																			
DRAWING NO.: CP-1880103																																																			
UNIT: mm																																																			
SIZE: A4																																																			
REV: A/0																																																			