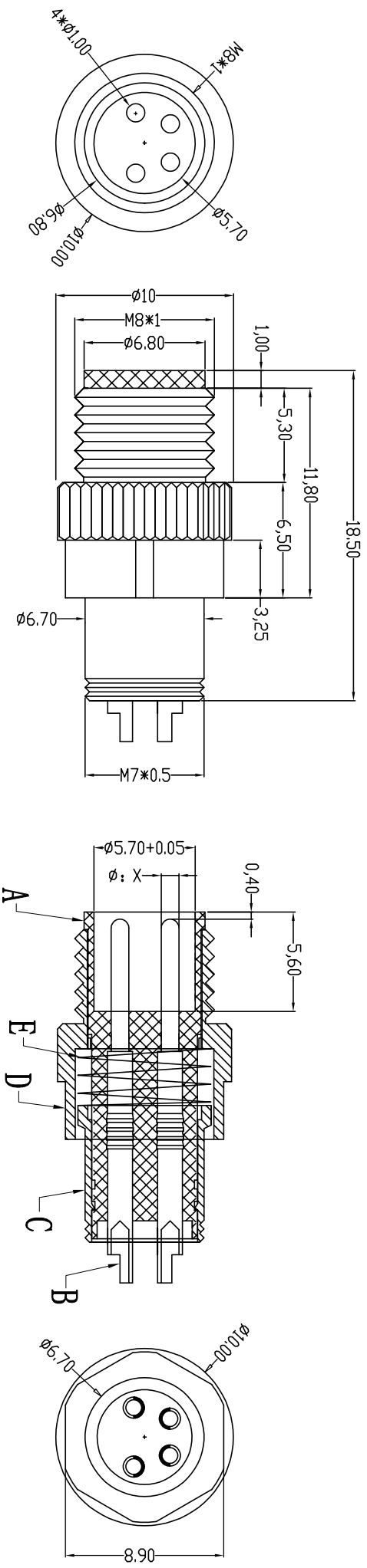


A	图形										
B	CODE	A-code	A-防呆	A-code	A-防呆	A-code	A-防呆	D-code	B-code	A-code	A-code
	X值	1.00	1.00	1.00	1.00	1.00	1.00	0.80	1.00	0.72	0.60



Engagement force		$\leq 40N$	Rated voltage		2-5pin: 60V DC 6-8pin: 30V DC
Disengagement force		$\geq 5N$	Rated current		2-5pin: 4A 6-8pin: 2A
Mechanical lifespan		≥ 500	Insulation resistance		$\geq 1000M \Omega$
IP rating		IP67/IP68	Contact resistance		$\leq 10m \Omega$
Flammability		UL94 V-0	Operation Temperature		$-40^{\circ}C \sim 105^{\circ}C$

PARTS	MATERIALS	TREATMENT	AMOUNT
A HOUSING	PA66+GF	GOLD PLATED	1
B CONTACT	BRASS	NICKL PLATED	2~8
C SHIELD	BRASS	NICKL PLATED	1
D NUT	BRASS	NICKL PLATED	1
E SPRING	SS	NICKL PLATED	1

Dongguan Changjun Electronics Co., Ltd		东莞市昌骏电子有限公司	
TITLE: 防水2~8芯线端子屏蔽款+11.8防振动六角螺丝		PART NO: CJ-M8XCB(2~8)-M01	
DRAWING NO.: CP-A80100		SHEET: 1 / 1	
SCALE: 1 : 1		CHECK: Long Jichang	
UNIT: mm		DATE: 2023-07-05	
SIZE: A4		REV: A/0	
DRAWN: Xie Wenjun		CHECK: Long Jichang	