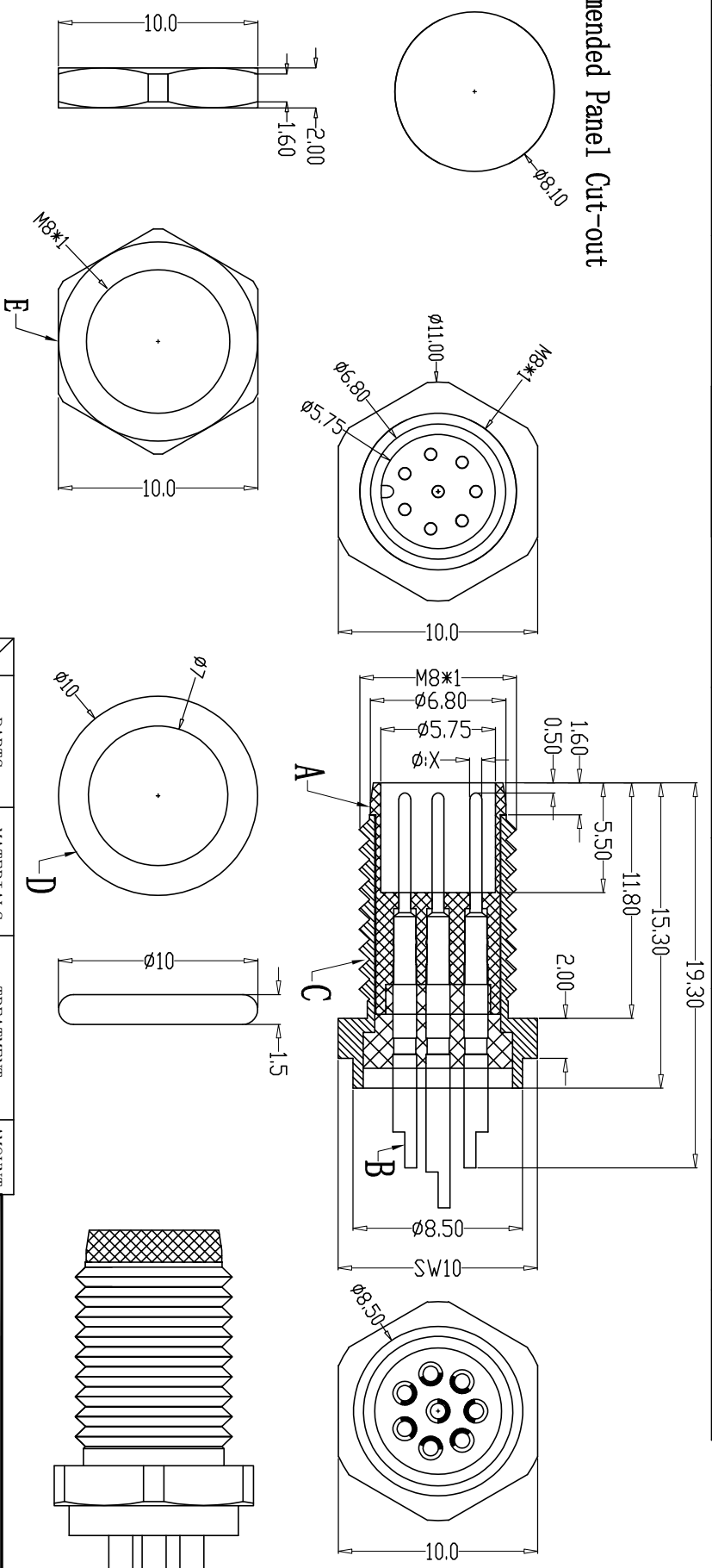


A	图形											
B	CODE	A-code	A-防呆	A-code	A-防呆	A-code	A-防呆	D-code	B-code	A-code	A-code	
C	X值	1.00	1.00	1.00	1.00	1.00	1.00	0.80	1.00	0.72	0.60	

Recommended Panel Cut-out



G	Engagement force	≤50N	Rated voltage	2-5pin:60V DC 6-8pin:30V DC
F	Disengagement force	≥5N	Rated current	2-5pin:4A 6-8pin:2A
E	Mechanical lifespan	≥500	Insulation resistance	≥1000M Ω
D	IP rating	IP67/IP68	Contact resistance	≤10m Ω
C	Flammability	UL94 V-0	Operation Temperature	-40° C~105° C

PARTS	MATERIALS	TREATMENT	AMOUNT
A HOUSING	PA66+GF	GOLD PLATED	1
B CONTACT	BRASS	NICKEL PLATED	2~8
C OUTER CONTACT	BRASS	SPECIFY COLOR	1
D O-RING	EPPDM	SPECIFY COLOR	1
E NUT	BRASS	NICKEL PLATED	1

Dongguan Changjun Electronics Co., Ltd
东莞市昌骏电子有限公司

TITLE: 防水2~8芯线端公头 前端面板式M8 SW10-13.7L

PART NO: CP-AM8X(C20)-M10-MSW10-13.7L

DRAWING NO.: CP-A800096

SHEET: 1 / 1

SCALE: 1 : 1

UNIT: mm

SIZE: A4

REV: A/0

DRAWN: Xie Wenjun

CHECK: Long Jichang

DATE: 2023-05-29