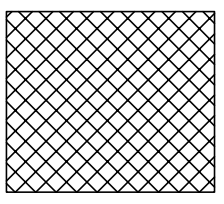
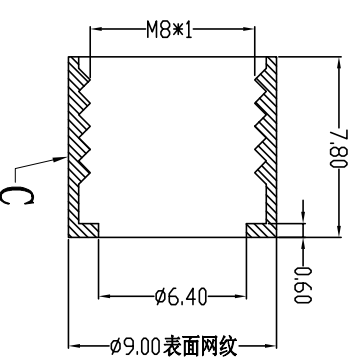
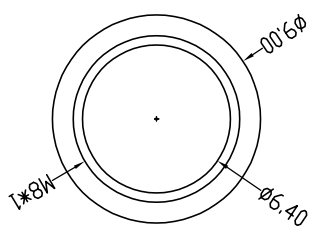
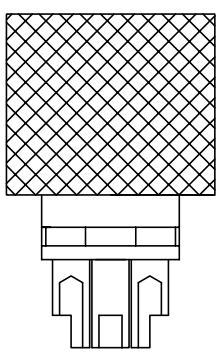
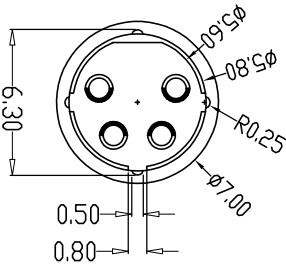
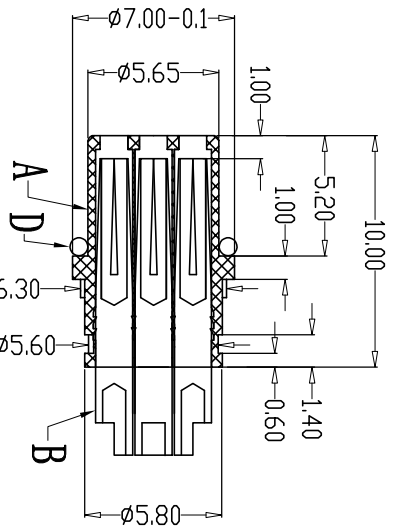
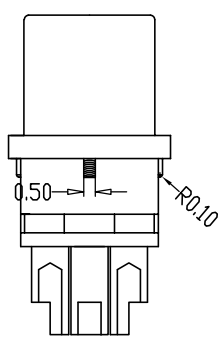
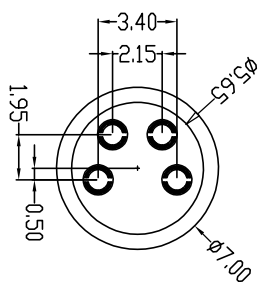


A	图形		2pin		2pin		3pin		3pin		4pin		4pin		4pin		5pin		6pin		8pin
B	CODE	A-code	A-防呆	A-code	A-防呆	A-code	A-防呆	A-code	A-防呆	A-code	A-防呆	D-code	B-code	A-code	A-code	A-code	A-code	A-code	A-code	A-code	A-code
	适配值	1.00	1.00	1.00	1.00	1.00	1.00	1.00	1.00	1.00	1.00	0.80	1.00	0.72	0.60						



G	Engagement force	$\leq 30N$	Rated voltage	2-5pin: 60V DC 6-8pin: 30V DC
	Disengagement force	$\geq 5N$	Rated current	2-5pin: 4A 6-8pin: 2A
	Mechanical lifespan	≥ 500	Insulation resistance	$\geq 1000M \Omega$
	IP rating	IP67/IP68	Contact resistance	$\leq 10m \Omega$
H	Flammability	UL94 V-0	Operation Temperature	-40° C ~ 105° C
I		2	3	4

PARTS	MATERIALS	TREATMENT	AMOUNT
A HOUSING	PA66+GF	GOLD PLATED	1
B CONTACT	BRONZE	NICKEL PLATED	2~8
C NUT	BRASS	SPECIFY COLOR	1
D O-RING	EPDM	SPECIFY COLOR	1

东莞市昌骏电子有限公司
Dongguan Changjun Electronics Co., Ltd

标题: M8防水2P线端子母头-9*7.8L网纹螺母
PART NO.: CP-M8CXB(2.8)-9*1-7.8L
SHEET: 1 / 1
SCALE: 1 : 1
DRAWING NO.: CP-M80004
UNIT: mm
SIZE: A4
REV: A/0
DATE: 2022-01-05

公差: ±0.05, ±0.10, ±0.30, ±0.50
角度: ±1°

DRAWN: Xie Wenjun
CHECK: Long Jichang