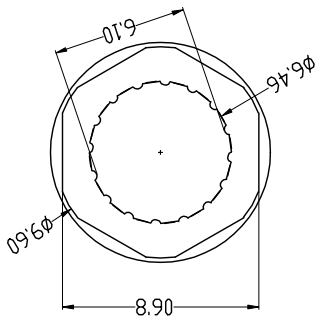
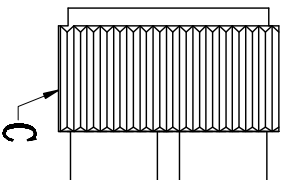
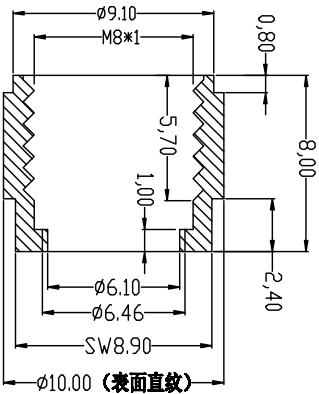
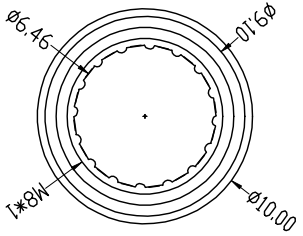
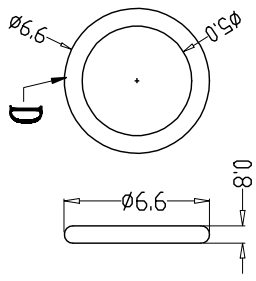
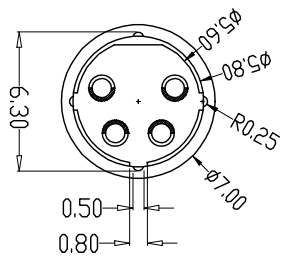
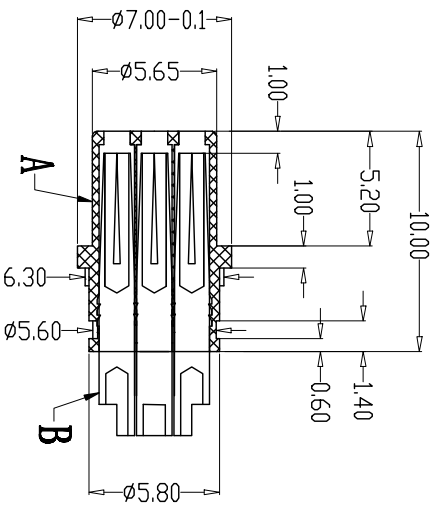
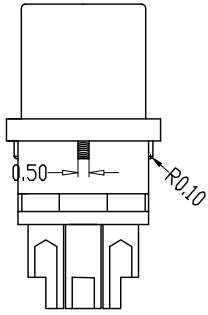
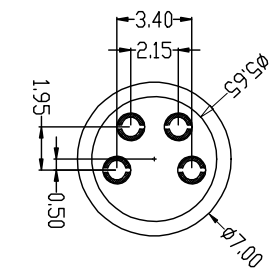


A	图形						
	编码	A-CODE	A-CODE	A-CODE	B-CODE	A-CODE	A-CODE



由 Autodesk 教育版产品制作

由 Autodesk 教育版产品制作

G	Engagement force	≤30N	Rated voltage	2-5pin: 60V DC 6-8pin: 30V DC
	Disengagement force	≥5N	Rated current	2-5pin: 4A 6-8pin: 2A
H	Mechanical lifespan	≥500	Insulation resistance	≥1000MΩ
	IP rating	IP67/IP68	Contact resistance	≤10mΩ
I	Flammability	UL94 V-0	Operation Temperature	-40° C~105° C

PARTS	MATERIALS	TREATMENT	AMOUNT
A HOUSING	PA66+GF	GOLD PLATED	1
B CONTACT	BRONZE	NICKEL PLATED	2*8
C NUT	BRASS	NICKEL PLATED	1
D O-RING	EPPM	BLACK	1

Dongguan Changjun Electronics Co., Ltd
东莞市昌骏电子有限公司

TITLE: 规格为2*和3*的母头-粗线插动大角螺母

TOLERANCE: ±0.05, ±0.10, ±0.20, ±0.50, ANGLES ±1°

PART NO: CJ-2023(2*)-002-01, DRAWING NO.: CJ-1890005

SCALE: 1:1, UNIT: mm, SIZE: REV A/0

DRAWN: Xie Wenjun, CHECKED: Long Jibang, DATE: 2022-01-05