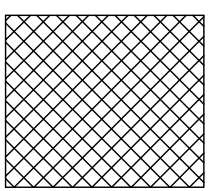
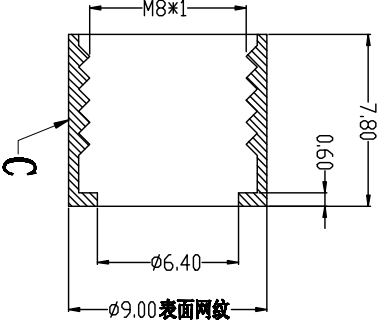
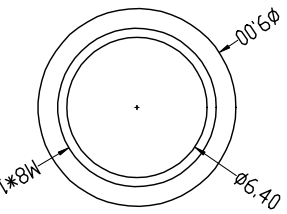
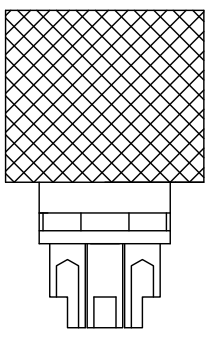
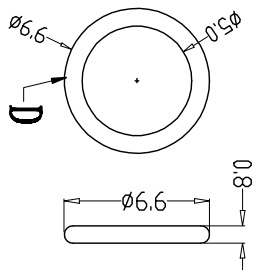
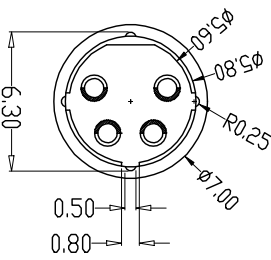
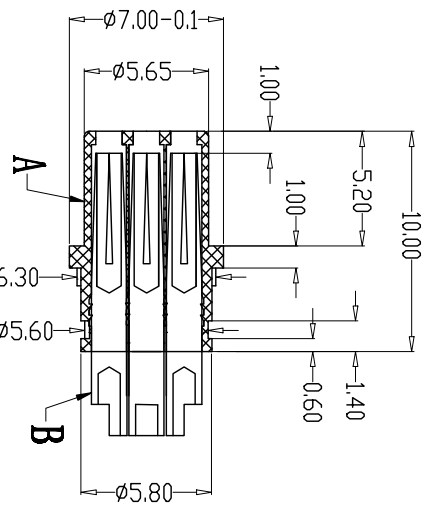
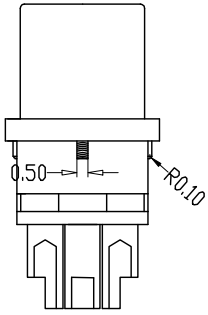
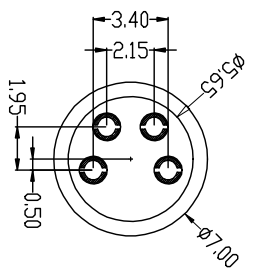


A	图形	2pin	3pin	4pin	5pin	6pin	8pin
B	编码	A-CODE	A-CODE	A-CODE	B-CODE	A-CODE	A-CODE



由 Autodesk 教育版产品制作

由 Autodesk 教育版产品制作

G	Engagement force	≤30N	Rated voltage	2-5pin: 60V DC 6-9pin: 30V DC
H	Disengagement force	≥5N	Rated current	2-5pin: 4A 6-9pin: 2A
H	Mechanical lifespan	≥500	Insulation resistance	≥1000MΩ
H	IP rating	IP67/IP68	Contact resistance	≤10mΩ
H	Flammability	UL94 V-0	Operation Temperature	-40° C~105° C

PARTS	MATERIALS	TREATMENT	AMOUNT
A HOUSING	PA66+GF	GOLD PLATED	1
B CONTACT	BRONZE	NICKEL PLATED	2*8
C OUTER CONTACT	BRASS	NICKEL PLATED	1
D O-RING	EPPM	BLACK	1
E NUT	BRASS	NICKEL PLATED	1

Dongguan Changjun Electronics Co., Ltd
东莞市昌骏电子有限公司

TITLE: 圆形防水密封接头-4*7, 8引脚螺母
 PART NO: CJ-MC8A(2)-4*7-8L
 DRAWING NO.: CJ-1890004

TOLERANCE: ±0.05
 .xx ±0.10
 .x ±0.20
 ANGLES ±1°

SCALE: 1:1
 SIZE: REV A/0
 DATE: 2022-01-05

DRAWN: Xie Wenjun
 CHECK: Long Jibang