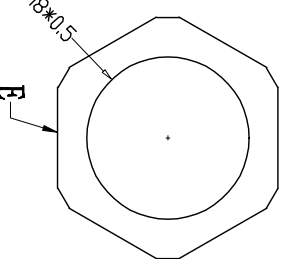
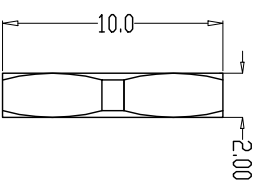
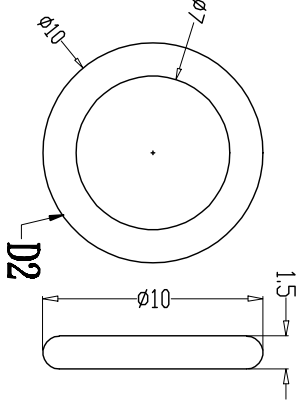
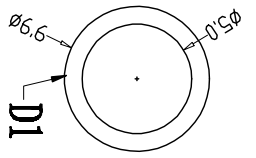
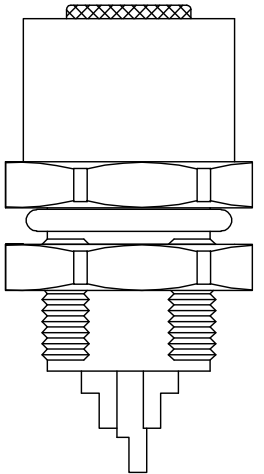
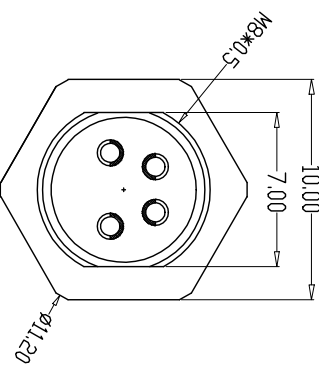
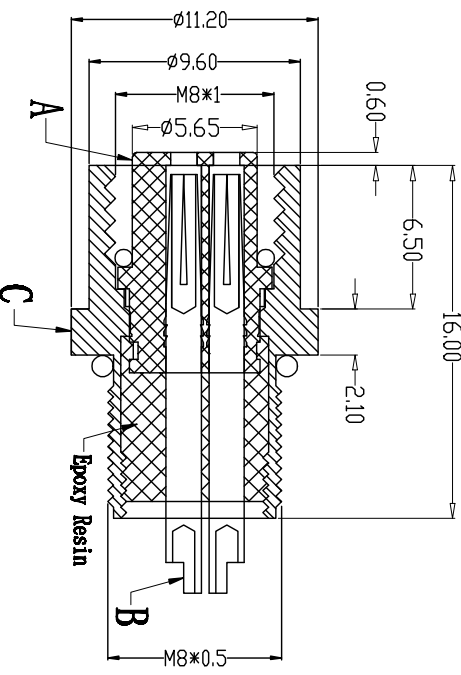
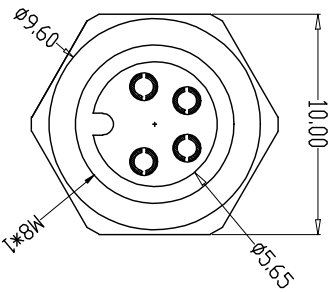
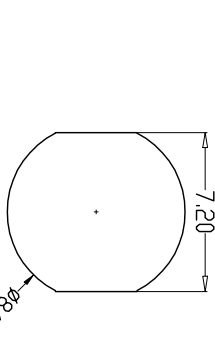


A	图形	2pin	3pin	4pin	5pin	6pin	8pin
B	编码	A-CODE	A-CODE	A-CODE	B-CODE	A-CODE	A-CODE

Recommended Panel Cut-out



由 Autodesk 教育版产品制作

由 Autodesk 教育版产品制作

G	Engagement force	≤50N	Rated voltage	2-5pin:60V DC 6-9pin:30V DC
	Disengagement force	≥5N	Rated current	2-5pin:4A 6-9pin:2A
	Mechanical lifespan	≥500	Insulation resistance	≥1000MΩ
H	IP rating	IP67/IP68	Contact resistance	≤10mΩ
	Flammability	UL94 V-0	Operation Temperature	-40° C~105° C

PARTS	MATERIALS	TREATMENT	AMOUNT
A HOUSING	PA66+GF	GOLD PLATED	1
B CONTACT	BRONZE	NICKEL PLATED	2*8
C OUTER CONTACT	BRASS	NICKEL PLATED	1
D O-RING	EPDM	BLACK	2
E NUT	BRASS	NICKEL PLATED	1

Dongguan Changjun Electronics Co., Ltd
东莞市昌骏电子有限公司

TITLE: 防水型 2-9 芯接插件 后模面插式 SR10T-18L

TOLERANCE: ±0.05, ±0.10, ±0.20, ±0.30, ±1°

PART NO: CHANGJUN-2022-01-05

SCALE: 1:1

DRAWN: Xie Wenjun

CHECK: Long Jichang

DATE: 2022-01-05