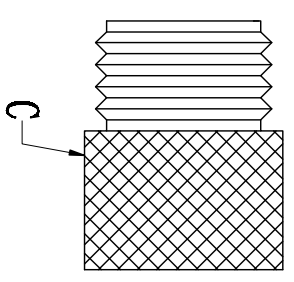
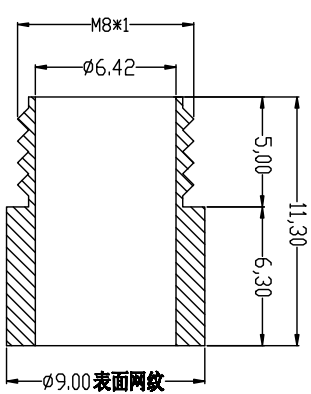
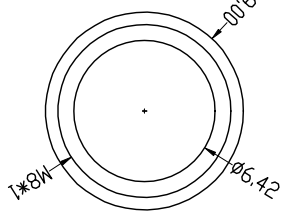
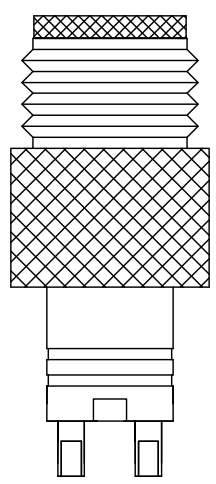
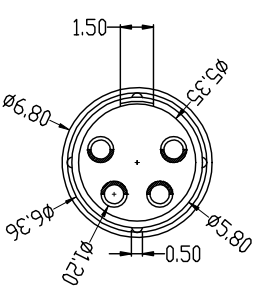
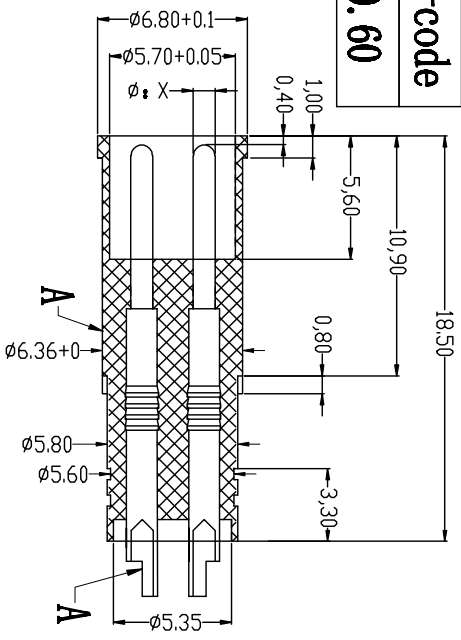
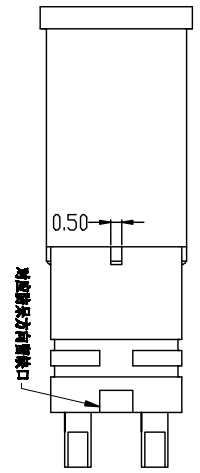
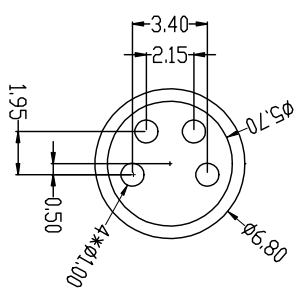


A	图形						
B	CODE	A-code	A-code	A-code	B-code	A-code	A-code
	X值	1.00	1.00	1.00	1.00	0.72	0.60



由 Autodesk 教育版产品制作

由 Autodesk 教育版产品制作

G	Engagement force	≤40N	Rated voltage	2-5pin:60V DC 6-9pin:30V DC
	Disengagement force	≥5N	Rated current	2-5pin:4A 6-9pin:2A
	Mechanical lifespan	≥500	Insulation resistance	≥1000M Ω
H	IP rating	IP67/IP68	Contact resistance	≤10m Ω
	Flammability	UL94 V-0	Operation Temperature	-40° C~105° C

PARTS	MATERIALS	TREATMENT	AMOUNT
A HOUSING	PA66+GF	GOLD PLATED	1
B CONTACT	BRASS	NICKEL PLATED	2*8
C NUT	BRASS		1

Dongguan Changjun Electronics Co., Ltd	
东莞市昌骏电子有限公司	
TITLE:	防水型 2~9 芯线端头连接器(9*11.3)圆形插针
PART NO.:	CS-480001
DRIVING NO.:	CS-480001
SCALE:	1:1
SIZE:	REV A/0

1	2	3	6	7	8
---	---	---	---	---	---

A	B	C	D	E	F
---	---	---	---	---	---

TOLERANCE	±0.05
XXX	±0.10
.XX	±0.20
.X	±0.50
ANGLES	±1°
DRAWN:	Xie Wenjun
CHECK:	Long Jibang
DATE:	2022-01-05

由 Autodesk 教育版产品制作