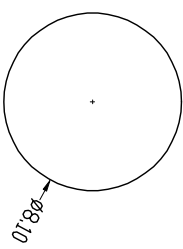
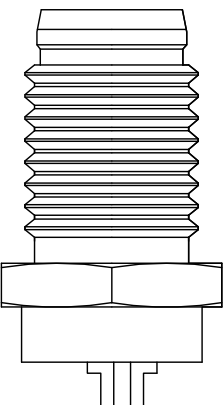
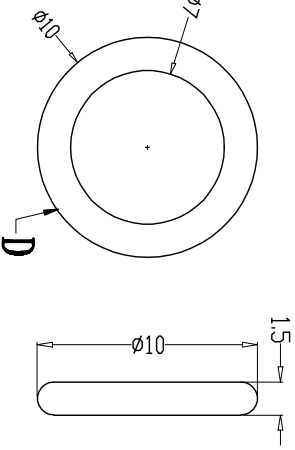
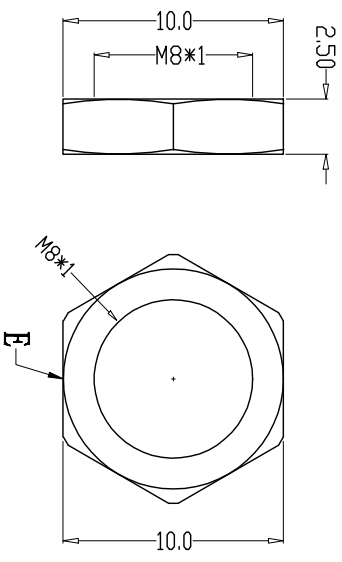
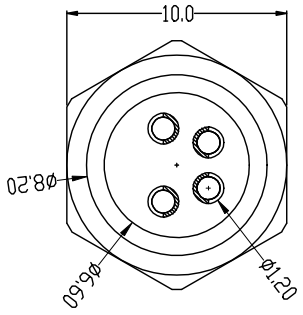
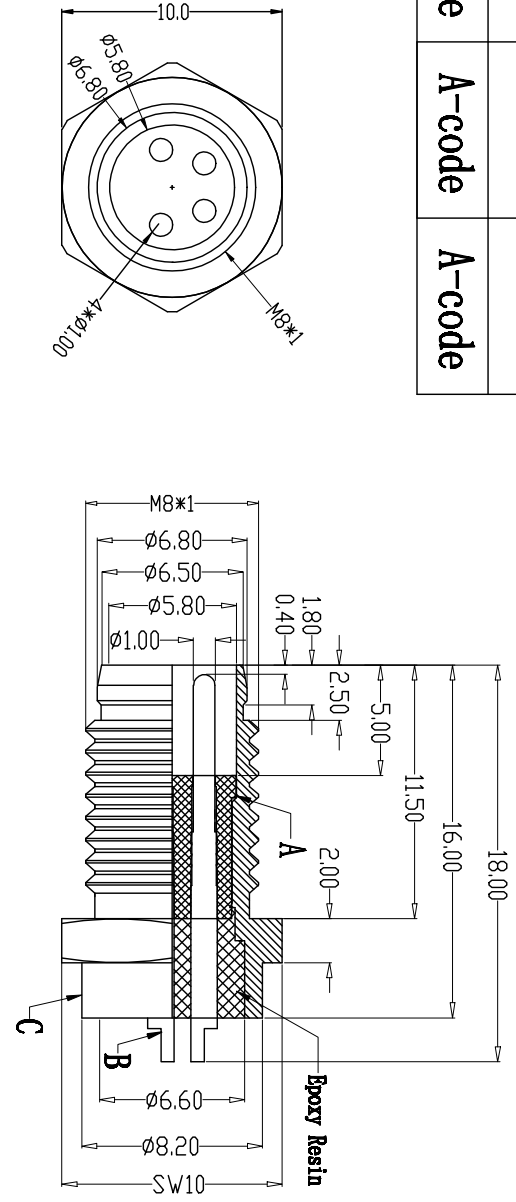


A	图形	2pin	3pin	4pin
B	CODE	A-code	A-code	A-code



Recommended Panel Cut-out



Engagement force		≤30N	Rated voltage	60V
Disengagement force		≥5N	Rated current	4A
Mechanical lifespan		≥500	Insulation resistance	≥1000MΩ
IP rating		IP67/IP68	Contact resistance	≤10mΩ
Flammability		UL94 V-0	Operation Temperature	-40°C~105°C

PARTS	MATERIALS	TREATMENT	AMOUNT
A HOUSING	PA66+GF	GOLD PLATED	1
B CONTACT	BRASS	NICKEL PLATED	2*4
C O-RING	EPDM	BLACK	1
E NUT	BRASS	NICKEL PLATED	1

TOLERANCE		±0.05
ANGLE		±1°

TITLE: 圆形水浸型接插头 前置面板式8P 810-16全金属		DRAWING NO.:	
PART NO: 东莞市长骏电子有限公司		DRAWING NO.:	
SHEET: 1 / 1		SCALE: 1 : 1	
DRAWN: Xie Wenjun		CHECK: Long Jichang	
DATE: 2022-01-05		REV: A/0	