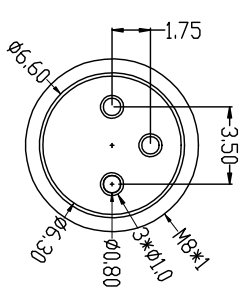
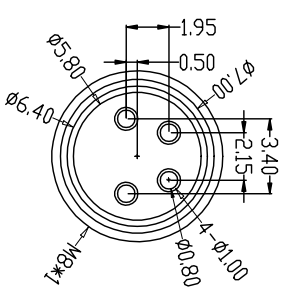
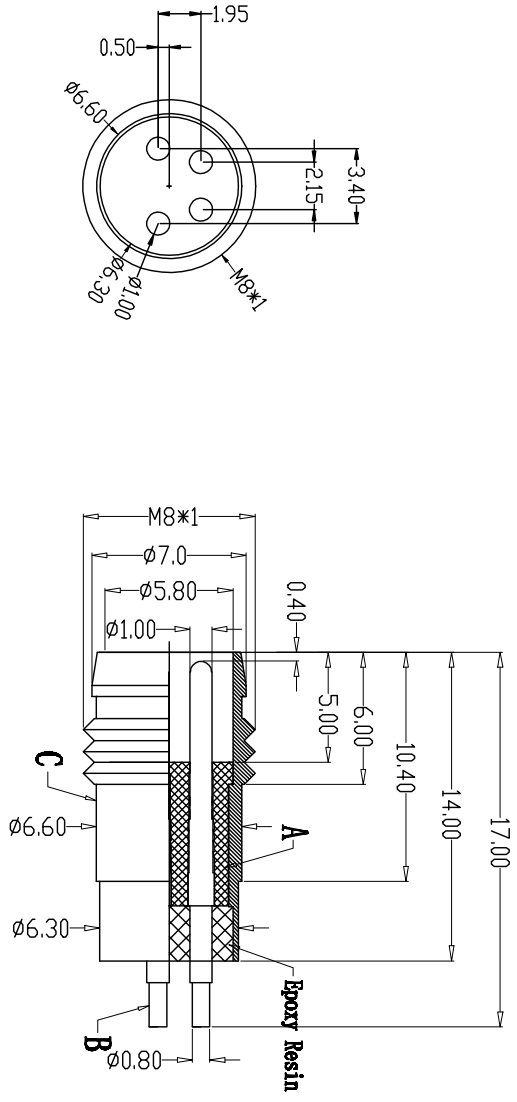
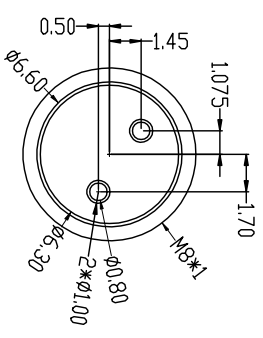
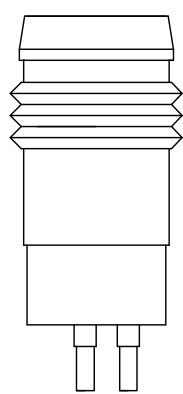


A	图形	2pin	3pin	4pin
B	CODE	A-code	A-code	A-code



由 Autodesk 教育版产品制作

G	Engagement force	≤30N	Rated voltage	60V
	Disengagement force	≥5N	Rated current	4A
	Mechanical lifespan	≥500	Insulation resistance	≥1000M Ω
H	IP rating	IP67/IP68	Contact resistance	≤10m Ω
	Flammability	UL94 V-0	Operation Temperature	-40° C~105° C

PARTS	MATERIALS	TREATMENT	AMOUNT
A HOUSING	PA66+GF	SPECIFY COLOR	1
B CONTACT	BRASS	GOLD PLATED	2*4
C OUTER CONTACT	BRASS	NICKEL PLATED	1
D			
E			
F			

Dongguan Changjun Electronics Co., Ltd
东莞市昌骏电子有限公司

TOLERANCE	±0.05	TITLE:	脚踏水"型插接公头 一体式带牙五金外插头
XXX	±0.10	PART NO.:	
.XX	±0.20	GT-VERSION(3-4)-ALTPP-14L	
X	±0.50	SCALE:	1:1
ANGLE	±1°	SCALE:	1:1
DRAWN:	Xie Fengjun	CHECKS:	Long Jichang
DATE:	2022-01-05	UNIT:	mm
		SIZE:	A4
		REV:	A/0