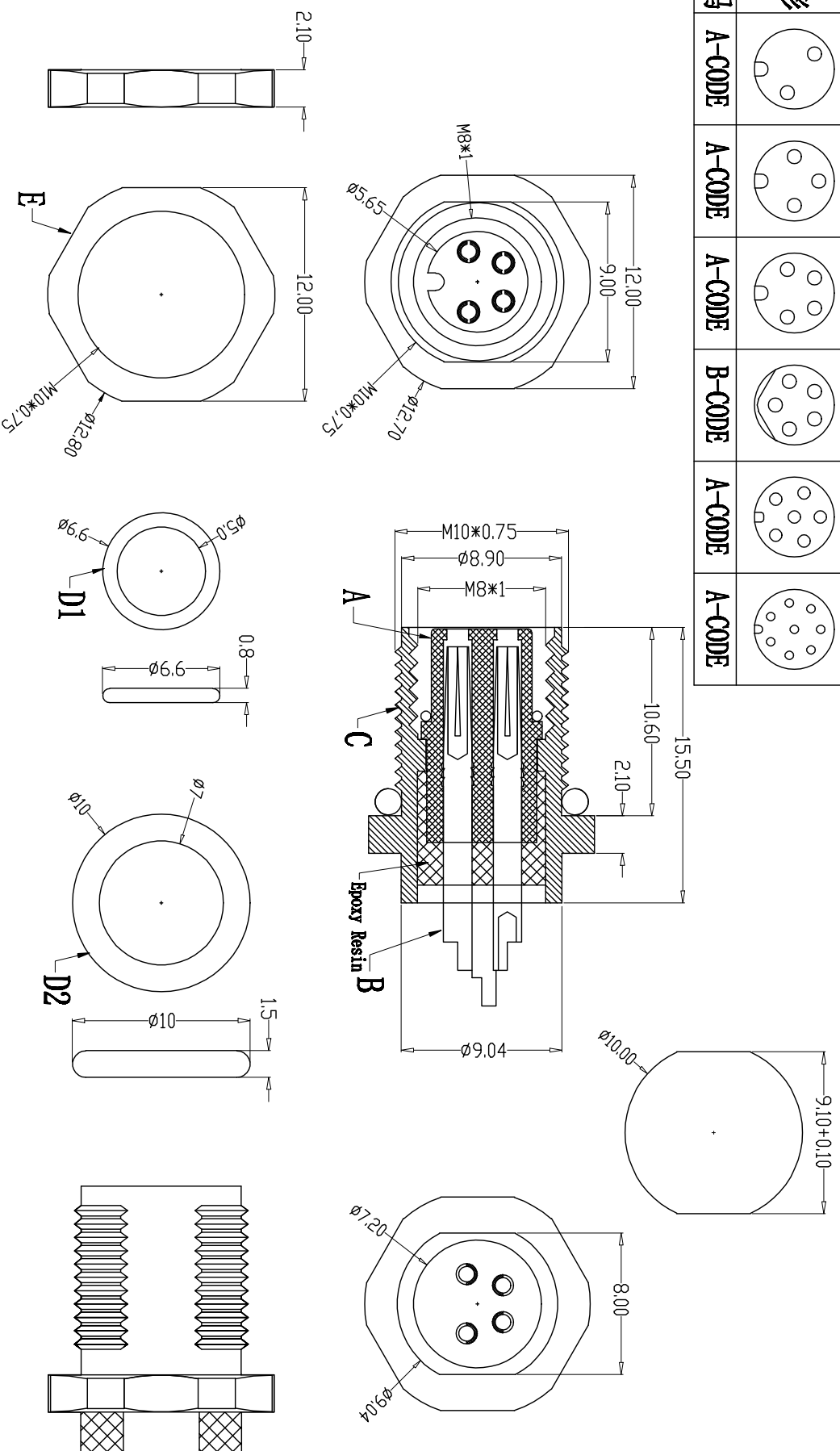


图形	2pin	3pin	4pin	5pin	6pin	8pin
编码	A-CODE	A-CODE	A-CODE	B-CODE	A-CODE	A-CODE

Recommended Panel Cut-out



Engagement force	≤50N	Rated voltage	2-5pin: 60V DC 6-9pin: 30V DC
Disengagement force	≥5N	Rated current	2-5pin: 3A 6-9pin: 2A
Mechanical lifespan	≥500	Insulation resistance	≥1000M $\Omega$
IP rating	IP67/IP68	Contact resistance	≤10m $\Omega$
Flammability	UL94 V-0	Operation Temperature	-40° C~105° C

PARTS	MATERIALS	TREATMENT	AMOUNT
A HOUSING	PA66+GF	GOLD PLATED	1
B CONTACT	BRONZE	NICKEL PLATED	2*8
C OUTER CONTACT	BRASS	NICKEL PLATED	1
D O-RING	EPDM	BLACK	2
E NUT	BRASS	NICKEL PLATED	1

**Dongguan Changjun Electronics Co., Ltd**  
**东莞市昌骏电子有限公司**

TITLE: 脚踏水? 脚踏开关座 前模面版式D10 51217-16. RL

PART NO: [blank] DRAWING NO.: CP-1890043

DATE: 1/1 SCALE: 1:1 UNIT: mm SIZE: REV A/0

DRAWN: Xie Wenjun CHECKED: Long Jibang DATE: 2022-01-05