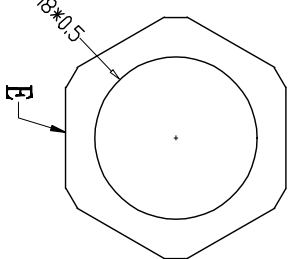
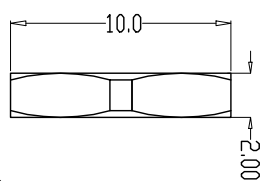
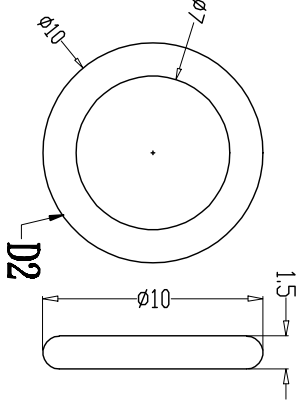
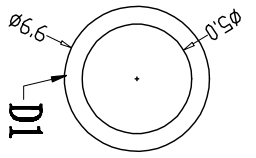
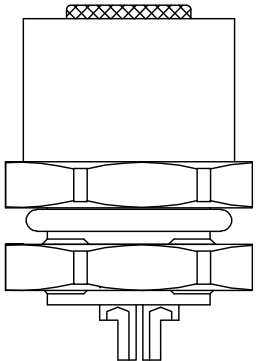
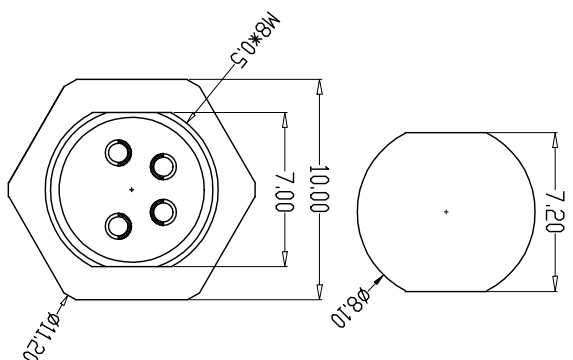
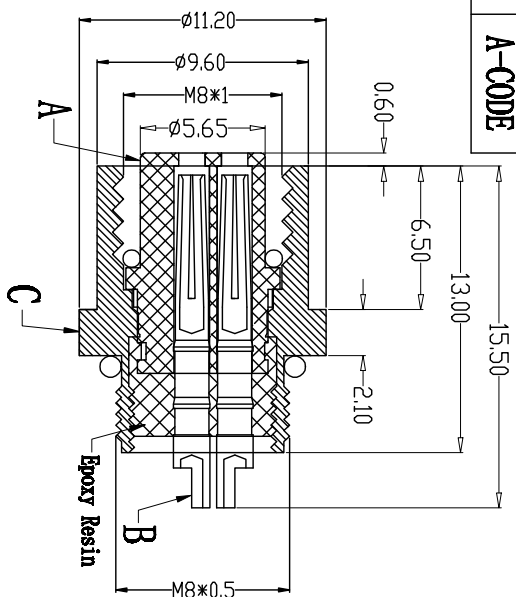
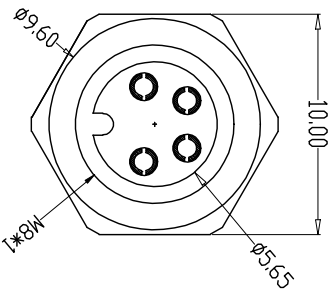


A	图形	2pin	3pin	4pin	5pin	6pin	8pin
B	编码	A-CODE	A-CODE	A-CODE	B-CODE	A-CODE	A-CODE

Recommended Panel Cut-out



由 Autodesk 教育版产品制作

由 Autodesk 教育版产品制作

G	Engagement force	≤50N	Rated voltage	2-5pin: 60V DC 6-9pin: 30V DC
H	Disengagement force	≥5N	Rated current	2-5pin: 4A 6-9pin: 2A
	Mechanical lifespan	≥500	Insulation resistance	≥1000MΩ
	IP rating	IP67/IP68	Contact resistance	≤10mΩ
	Flammability	UL94 V-0	Operation Temperature	-40° C ~ 105° C

PARTS	MATERIALS	TREATMENT	AMOUNT
A HOUSING	PA66+GF	GOLD PLATED	1
B CONTACT	BRONZE	NICKEL PLATED	2*8
C OUTER CONTACT	BRASS	NICKEL PLATED	1
D O-RING	EPDM	BLACK	2
E NUT	BRASS	NICKEL PLATED	1

**Dongguan Changjun Electronics Co., Ltd**  
**东莞市昌骏电子有限公司**

TITLE: 防水2pin接插件 后模面式8pin STR-13L

TOLERANCE: ±0.05, ±0.10, ±0.20, ±0.30, ±1°

PART NO: CHANGJUN-2022-01-05

SCALE: 1:1

DRAWN: Xie Wenjun

CHECK: Long Jichang

DATE: 2022-01-05