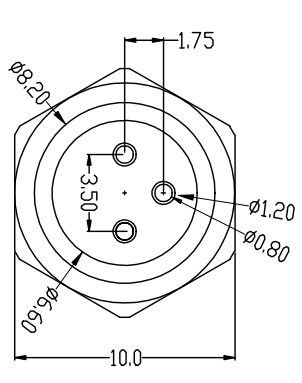
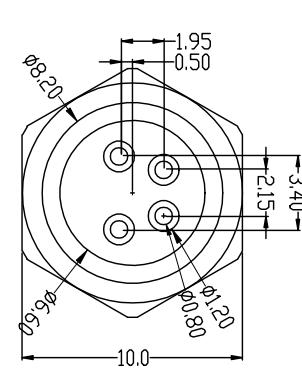
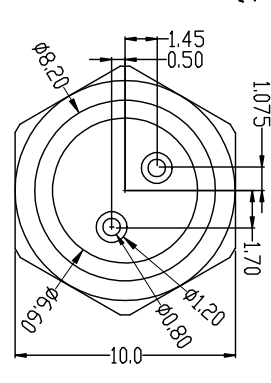
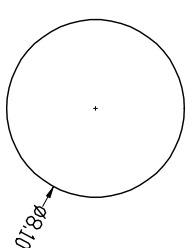
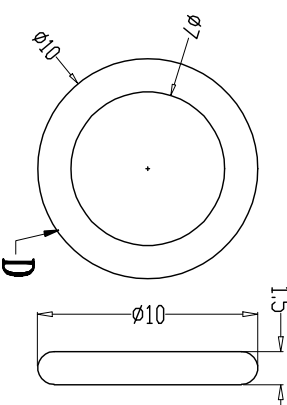
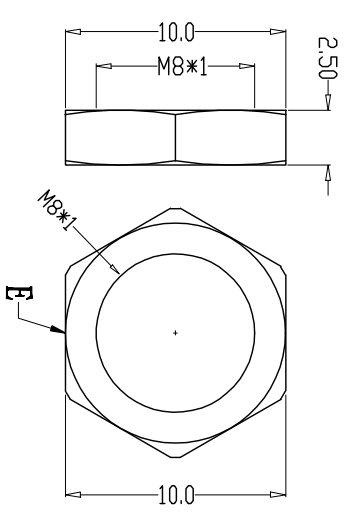
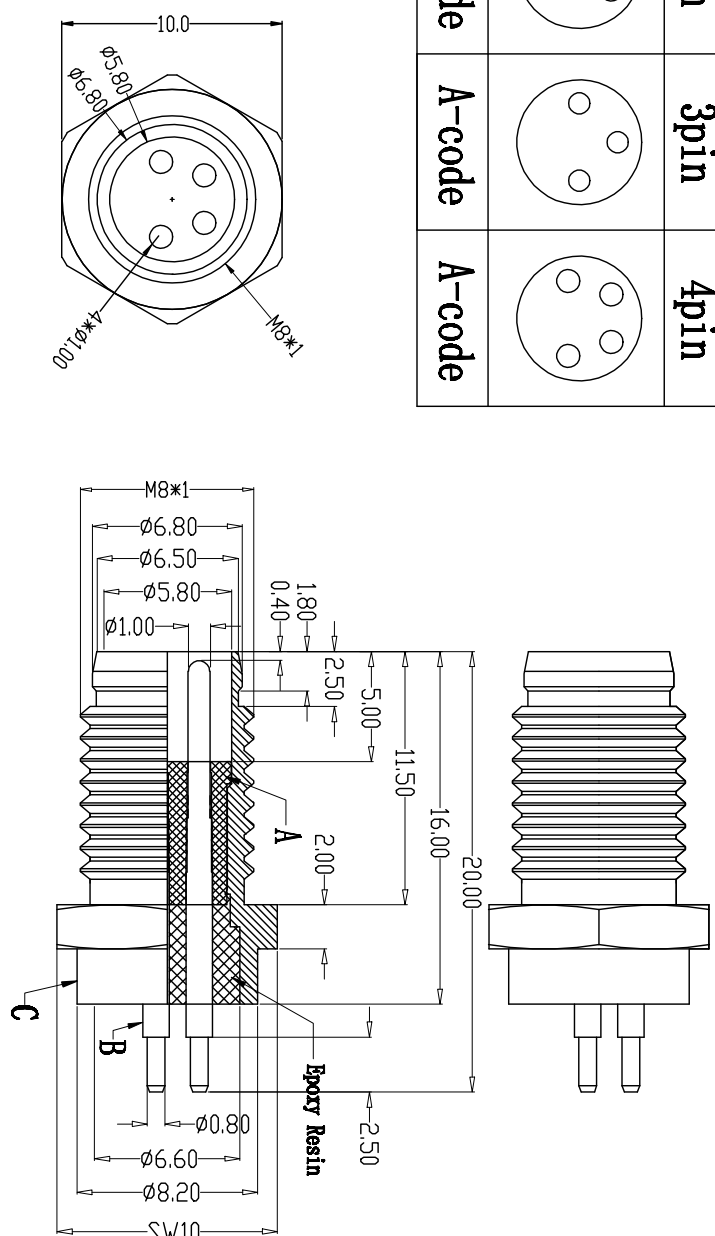


A	图形	2pin	3pin	4pin
B	CODE	A-code	A-code	A-code



Recommended Panel Cut-out

由 Autodesk 教育版产品制作

G	Engagement force	≤30N	Rated voltage	60V
	Disengagement force	≥5N	Rated current	4A
	Mechanical lifespan	≥500	Insulation resistance	≥1000V/Ω
H	IP rating	IP67/IP68	Contact resistance	≤10mΩ
	Flammability	UL94 V-0	Operation Temperature	-40° C~105° C

PARTS	MATERIALS	TREATMENT	AMOUNT
A HOUSING	PA66+GF	GOLD PLATED	1
B CONTACT	BRASS		2*4
C OUTER CONTACT	BRASS	NICKL PLATED	1
D O-RING	EPDM	BLACK	1
E NUT	BRASS	NICKL PLATED	1

**Dongguan Changjun Electronics Co., Ltd**  
**东莞市昌骏电子有限公司**

TITLE: 脚踏水"型板插公头 前视图(标准 SW10-16)合金属

PART NO.:  
 DRAWING NO.:  
 SHEET: 1 / 1  
 SCALE: 1 : 1  
 UNIT: mm  
 SIZE: REV A/0

DRAWN: Xie Fenjun  
 CHECK: Long Jibang  
 DATE: 2022-01-05

TOLERANCE:  
 .xxx ±0.05  
 .xx ±0.10  
 .x ±0.20  
 ANGLES ± 1°