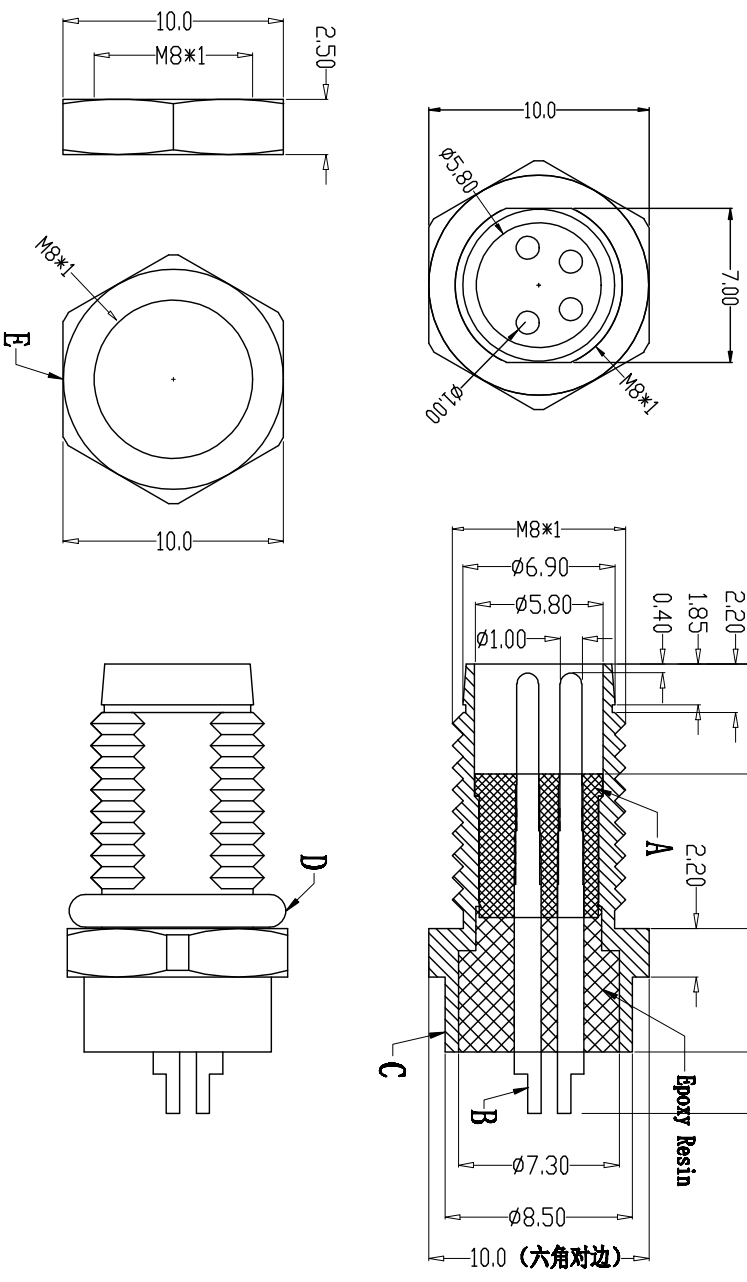
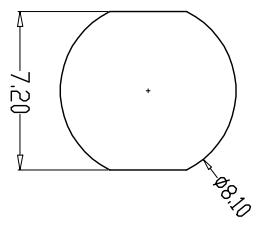


A		1	2	3
图形				
CODE	A-code	A-code	A-code	



Recommended Panel Cut-out



Engagement force	≤40N	Rated voltage	60V
Disengagement force	≥5N	Rated current	4A
Mechanical lifespan	≥500	Insulation resistance	≥1000M Ω
IP rating	IP67/IP68	Contact resistance	≤10m Ω
Flammability	UL94 V-0	Operation Temperature	-40° C~105° C

PARTS	MATERIALS	TREATMENT	AMOUNT
A HOUSING	PA66+GF	GOLD PLATED	1
B CONTACT	BRASS		2*4
C OUTER CONTACT	BRASS	NICKEL PLATED	1
D O-RING	EPDM	BLACK	1
E NUT	BRASS	NICKEL PLATED	1

Dongguan Changjun Electronics Co., Ltd
东莞市昌骏电子有限公司

TITLE: 圆形板式插接端子
 PART NO.:
 DRAWING NO.:
 SCALE: 1:1
 DATE: 2022-01-05

DRAWN: Xie Wenjun
 CHECKED: Long Jichang

DRIVING NO.:
 SIZE: REV
 DATE: A/0