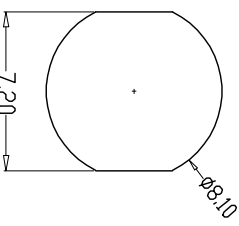


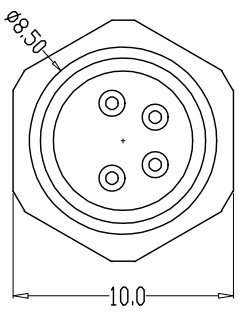
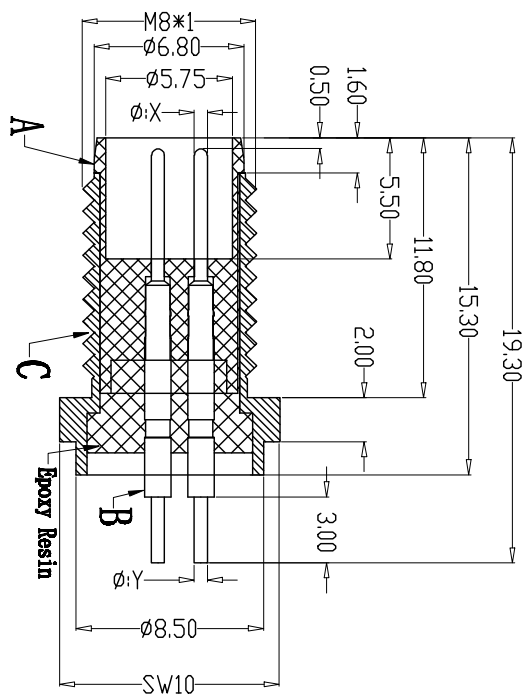
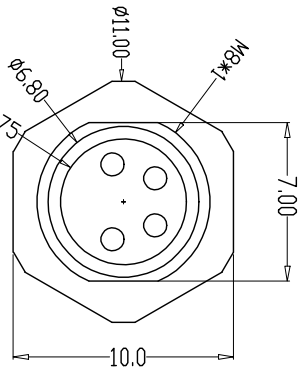
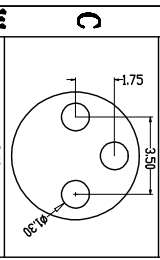
Recommended Panel Cut-out

A	1	2	3	6	7
图形					
CODE	A-code	A-code	A-code	B-code	A-code
X值	1.00	1.00	1.00	1.00	0.72
Y值	1.00	1.00	1.00	0.60	0.60

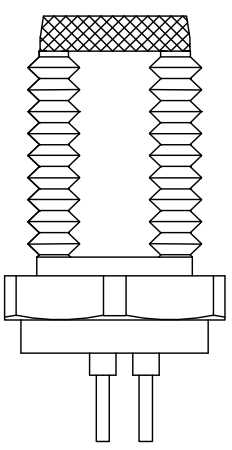
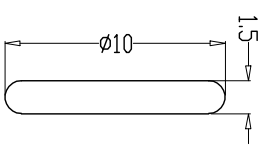
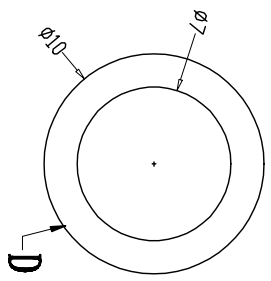
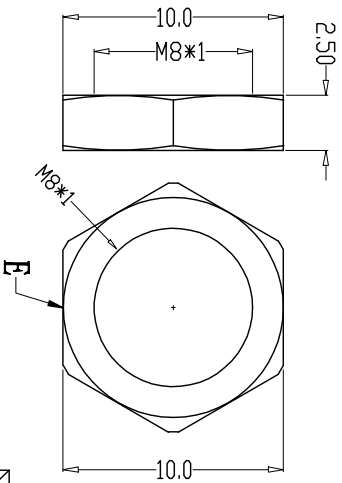
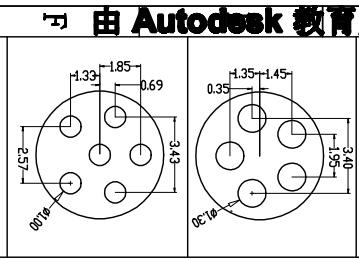
B



PCB Layout Reference



由 Autodesk 教育版产品制作



G

TITLE: 连接器 连接器公头 连接器母式 5110-13 TL
Dongguan Changjun Electronics Co., Ltd
东莞市昌骏电子有限公司

Engagement force	Rated voltage
≤50N	2-5pin: 60V DC 6-9pin: 30V DC

Disengagement force	Rated current
≥5N	2-5pin: 4A 6-9pin: 2A

Mechanical lifespan	Insulation resistance
≥500	≥1000MΩ

IP rating	Contact resistance
IP67/IP68	≤10mΩ

Flammability	Operation Temperature
UL94 V-0	-40° C~105° C

PARTS	MATERIALS	TREATMENT	AMOUNT
A HOUSING	PA66+GF	GOLD PLATED	1
B CONTACT	BRASS	NICKEL PLATED	2*8
C OUTER CONTACT	BRASS	NICKEL PLATED	1
D O-RING	EPPM	BLACK	1
E NUT	BRASS	NICKEL PLATED	1

TOLERANCE	PART NO.:	DRAWING NO.:
±0.05	连接器 连接器公头 连接器母式 5110-13 TL	CR-1690032
±0.10		
±0.20		
±0.50		
±1°		

DRAWN:	CHECK:	DATE:
Xie Wenjun	Long Jibang	2022-01-05

H

1

2

3

6

7

8