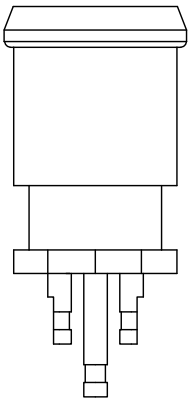
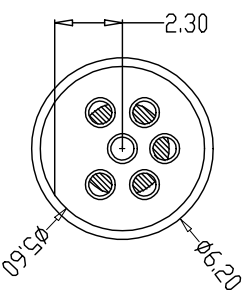
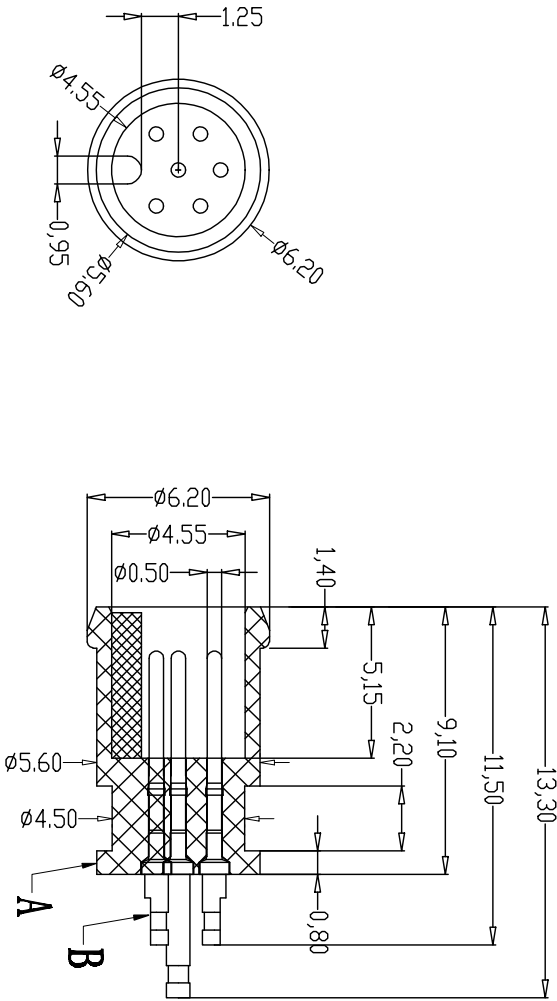


A	1	2	3	4	6	7	8
B	2pin RED	3pin YELLOW	4pin BLUE	5pin GREEN	6pin BLACK		



由 Autodesk 教育版产品制作



由 Autodesk 教育版产品制作

PARTS	MATERIALS	TREATMENT	AMOUNT
A HOUSING	PBT+GF	SPECIFY COLOR	1
B CONTACT	BRASS	GOLD PLATED	2*6

Engagement force $\leq 20N$		Rated voltage 30V	
Disengagement force $\geq 5N$		Rated current 1.5A	
Mechanical lifespan $\geq 500$		Insulation resistance $\geq 1000M\ \Omega$	
IP rating IP65/IP67		Contact resistance $\leq 10m\ \Omega$	
Flammability UL94 V-0		Operation Temperature $-40^{\circ}C \sim 105^{\circ}C$	

由 Autodesk 教育版产品制作

**Dongguan Changjun Electronics Co., LTD**  
**东莞市昌骏电子有限公司**

TITLE: 插座 mini 防水 6 芯 插接公头 (带齐口)  
 PART NO.: CJ-MINI (2\*6)-M02  
 DRAWING NO.: CJ-MINI0002  
 SHEET: 1 / 1  
 SCALE: 1 : 1  
 UNIT: mm  
 SIZE: A4  
 REV: A/0  
 DATE: 2022-01-05

DRAWN: Xie Wenjun  
 CHECKS: Long Jichang