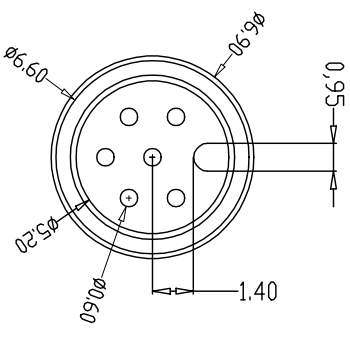
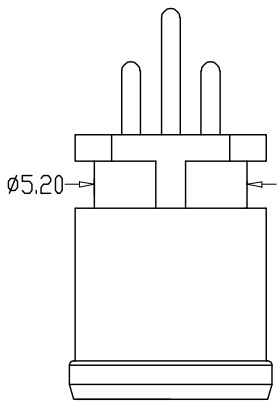
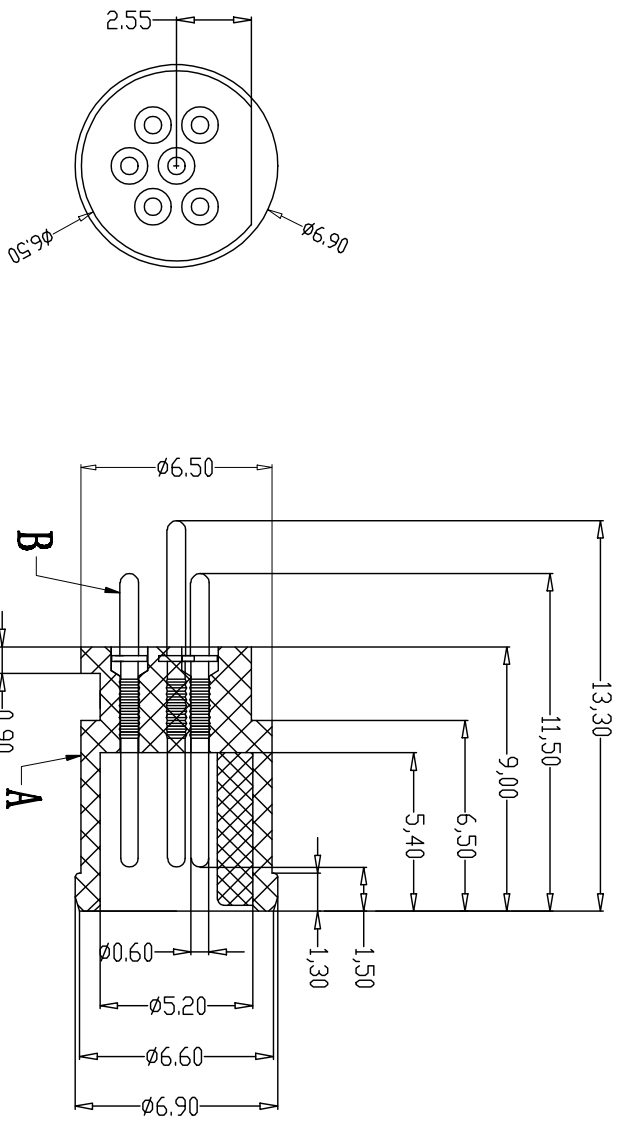


A	1	2	3	4
B	2pin RED	3pin YELLOW	4pin BLUE	5pin GREEN
				6pin BLACK



由 Autodesk 教育版产品制作

由 Autodesk 教育版产品制作

G	Engagement force	≤20N	Rated voltage	30V
	Disengagement force	≥5N	Rated current	2A
	Mechanical lifespan	≥500	Insulation resistance	≥1000M Ω
H	IP rating	IP65/IP67	Contact resistance	≤10m Ω
	Flammability	UL94 V-0	Operation Temperature	-40° C~105° C

PARTS		MATERIALS		TREATMENT		AMOUNT	
A	HOUSING	PBT+GF		SPECIFY COLOR			1
B	CONTACT	BRASS		GOLD PLATED			2*6

Dongguan Changjun ElectronicsCo., LTD
东莞市昌骏电子有限公司

TOLERANCE		TITLE:	
.xxx	±0.05	规格: mini防水型 密封插头	
.xx	±0.10	PART NO.:	
.x	±0.20	CJ-WTAL(2*6)-M01	
ANGLE	± 1°	DRAWING NO.:	
		CJ-WTAL(2*6)-M01	
		SHRBT:	
		SCALE:	
		1 : 1	
		UNTT:	
		mm	
		SIZE:	
		REV	
		A/0	
		DRAWN:	
		Xie Wenjun	
		CHECKS:	
		Long Jichang	
		DATE:	
		2022-09-05	