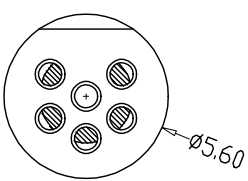
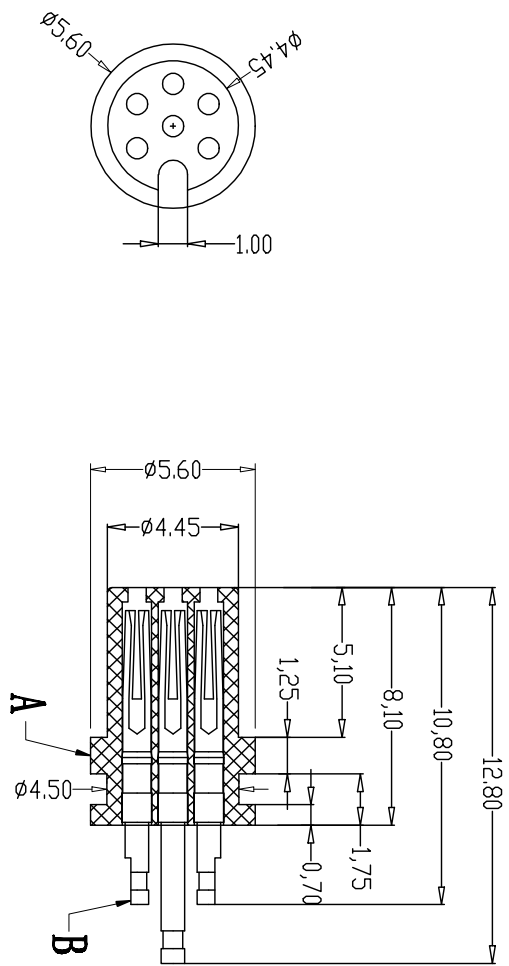
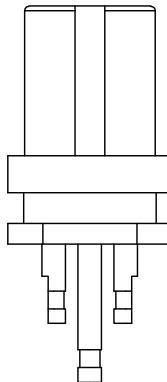


A	1	2	3	4	5	6	7	8
B	2pin RED	3pin YELLOW	4pin BLUE	5pin GREEN	6pin BLACK			



由 Autodesk 教育版产品制作

由 Autodesk 教育版产品制作

PARTS	MATERIALS	TREATMENT	AMOUNT
A HOUSING	PBT+GF	SPECIFY COLOR	1
B CONTACT	BRONZE	GOLD PLATED	2*6

Dongguan Changjun ElectronicsCo., LTD	
东莞市昌骏电子有限公司	
TITLE:	插座 防水型 6针插接头 (车林插接口)
PART NO:	CJ-MINI(2*6)-P02
DRAWING NO.:	CP-MINI0004
SHEET:	1 / 1
SCALE:	1 : 1
UNIT:	mm
SIZE:	REV A/0

TOLERANCE	.xxx ±0.05
.xx ±0.10	
.x ±0.20	
ANGLES ±1°	

DRAWN:	Xie Wenjun	CHECK:	Long Jichang	DATE:	2022-01-05
--------	------------	--------	--------------	-------	------------

Engagement force	≤20N	Rated voltage	30V
Disengagement force	≥5N	Rated current	1.5A
Mechanical lifespan	≥500	Insulation resistance	≥1000MΩ
IP rating	IP65/IP67	Contact resistance	≤10mΩ
Flammability	UL94 V-0	Operation Temperature	-40° C~105° C

1	2	3	6	7	8
---	---	---	---	---	---