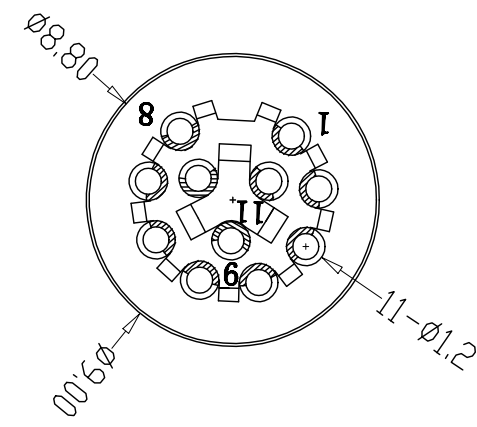
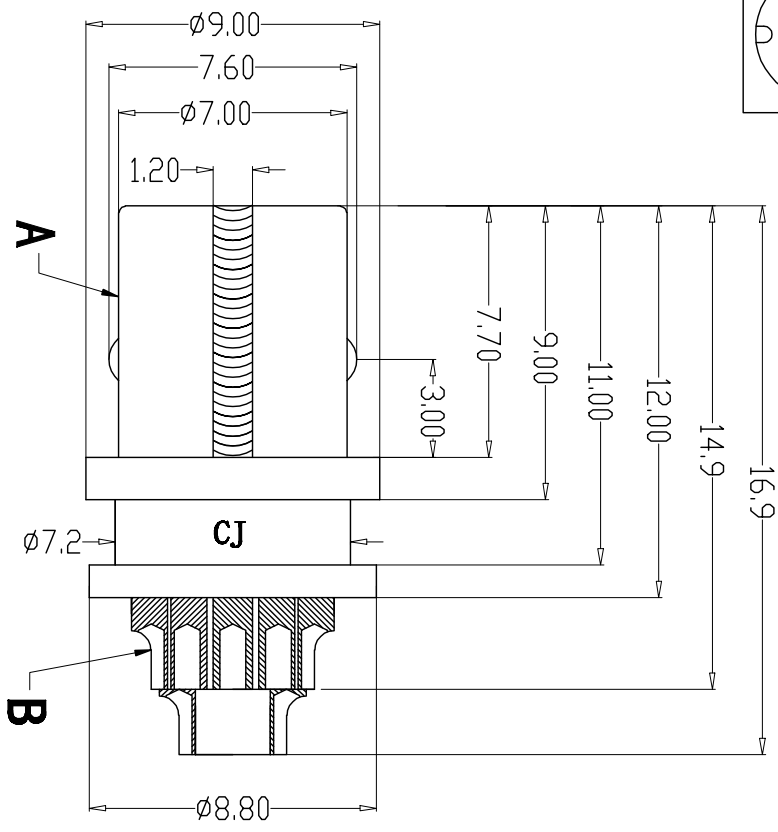
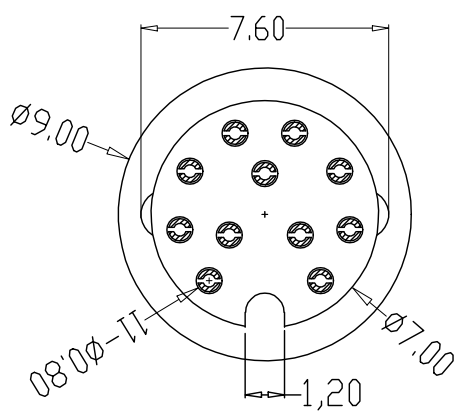


|   |      |      |      |       |
|---|------|------|------|-------|
| A | PIN数 | 1    | 2    | 3     |
|   | 图形   |      |      |       |
|   |      | 8PIN | 9PIN | 10PIN |
|   |      |      |      | 11PIN |



|   |                     |          |                       |              |
|---|---------------------|----------|-----------------------|--------------|
| G | Engagement force    | ≤55N     | Rated voltage         | 24V          |
|   | Disengagement force | ≥25N     | Rated current         | 2A           |
| H | Mechanical lifespan | ≥500     | Insulation resistance | ≥1000MΩ      |
|   | IP rating           |          | Contact resistance    | ≤10mΩ        |
| I | Flammability        | UL94 V-0 | Operation Temperature | -25° C~85° C |

|       |         |           |  |             |  |        |  |
|-------|---------|-----------|--|-------------|--|--------|--|
| PARTS |         | MATERIALS |  | TREATMENT   |  | AMOUNT |  |
| A     | HOUSING | PA66+GF   |  | BLACK       |  | 1      |  |
| B     | CONTACT | BRONZE    |  | GOLD PLATED |  | 8*11   |  |

|           |       |  |  |                      |  |                  |  |
|-----------|-------|--|--|----------------------|--|------------------|--|
| TOLERANCE |       | TITLE:                                 |  | DRAWING NO.:         |  | DATE:            |  |
| ±0.05     | ±0.10 | Dongguan Changjun Electronics Co., Ltd |  | GP-BM0029            |  | 2022-01-05       |  |
| ±0.20     | ±0.30 | 东莞市昌骏电子有限公司                            |  | GP-BM0029            |  |                  |  |
| ±1°       |       | 全铜11脚插接端子 (2款)                         |  | SCALE: 1:1           |  | SIZE: REV A/0    |  |
|           |       | PART NO: CJ-BM(8*11)-F31               |  | SCALE: 1:1           |  | UNIT: mm         |  |
|           |       | SHEET: 1/1                             |  | SCALE: 1:1           |  | UNIT: mm         |  |
|           |       | DRAWN: Xie Wenjun                      |  | CHECKS: Long Jichang |  | DATE: 2022-01-05 |  |