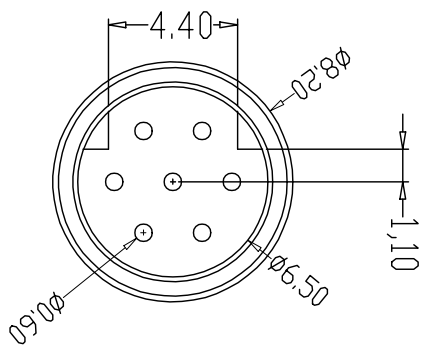
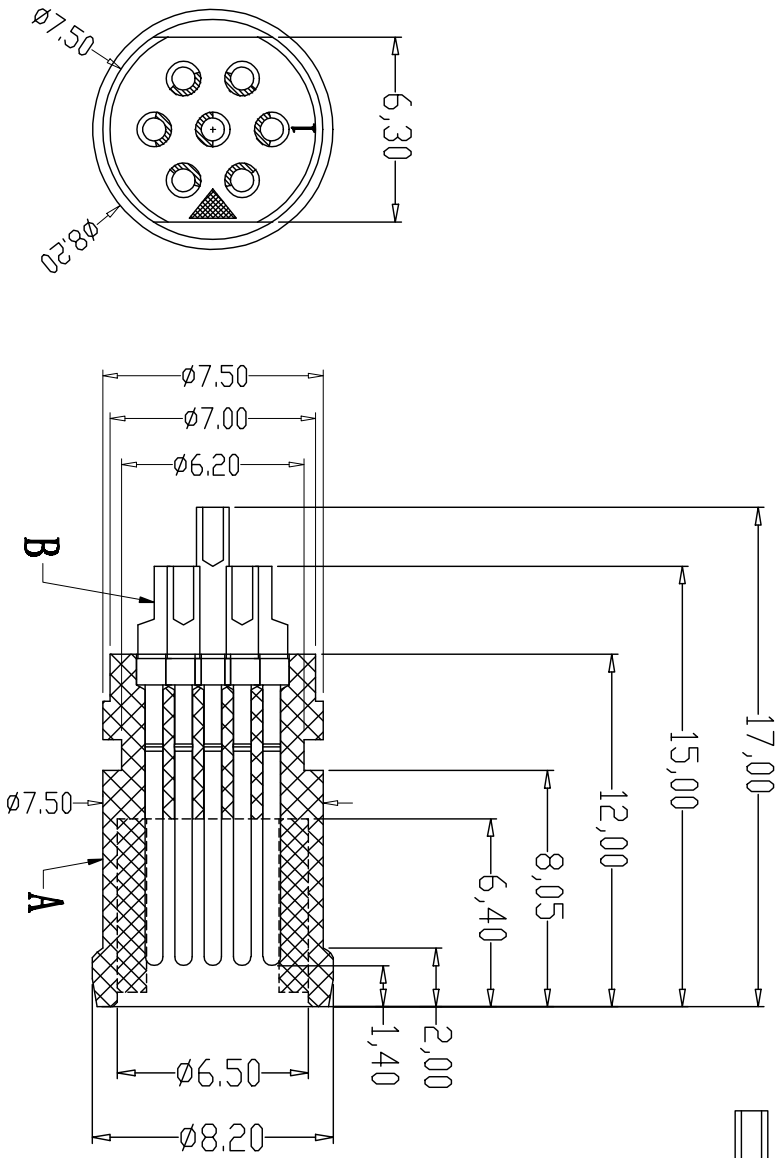
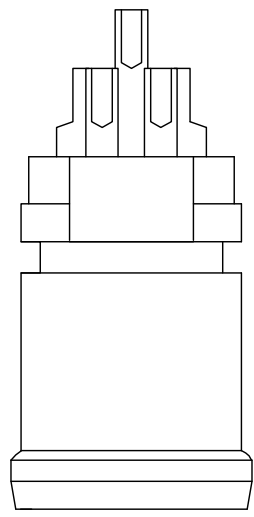


1 2 3 4 6 7 8



PARAMETER	VALUE	PARAMETER	VALUE	PARAMETER	VALUE
Engagement force	≤20N	Rated voltage	30V	PARTS	AMOUNT
Disengagement force	≥5N	Rated current	2A	A HOUSING	1
Mechanical lifespan	≥500	Insulation resistance	≥1000MΩ	B CONTACT	7
IP rating	IP65/IP67	Contact resistance	≤10mΩ	MATERIALS	TREATMENT
Flammability	UL94 V-0	Operation Temperature	-40° C~105° C	PBT+GF	SPECIFY COLOR
				BRASS	GOLD PLATED

TOLERANCE .xxx ±0.05 .xx ±0.10 .x ±0.20 x ±0.50 ANGLES ±1°		TITLE: 插座 mini防水连接器公头(带齐口)	
PART NO: CJ-M8BIT-M01		DRAWING NO.: CJ-M8BIT0004	
SHEET: 1 / 1		SCALE: 1 : 1	
DRAWN: Xie Wenjun		CHECKS: Long Jichang	
DATE: 2022-01-05			

Dongguan Changjun Electronics Co., LTD
 东莞市昌骏电子有限公司