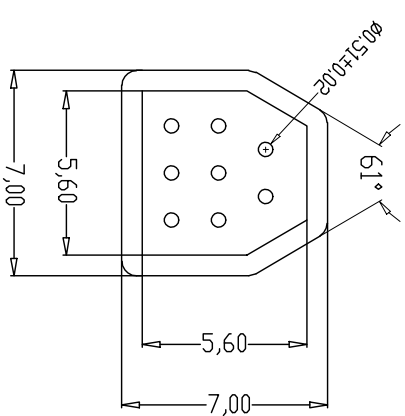
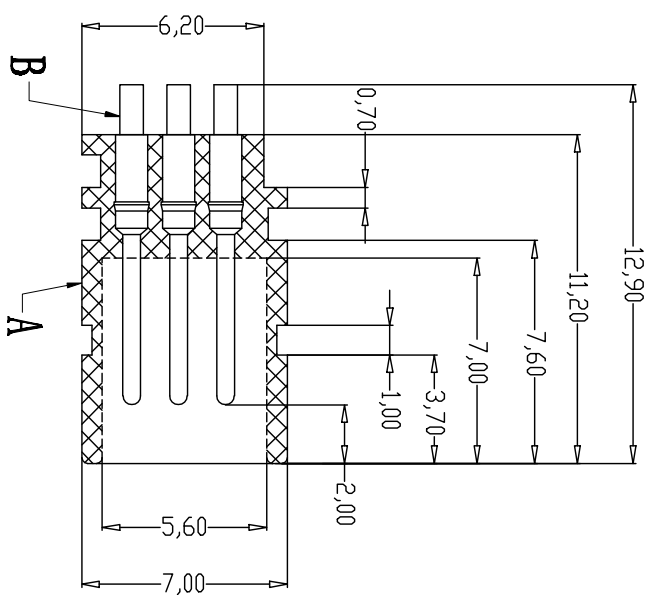
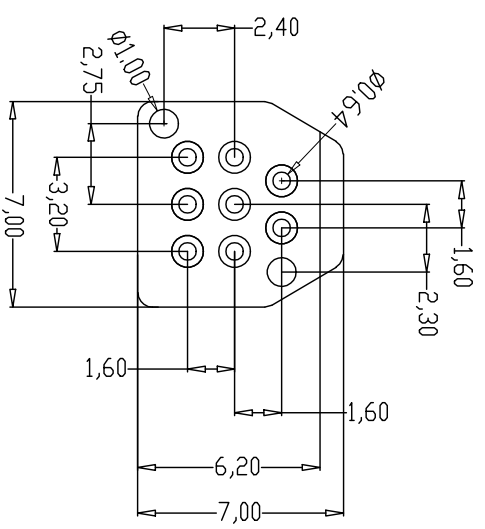
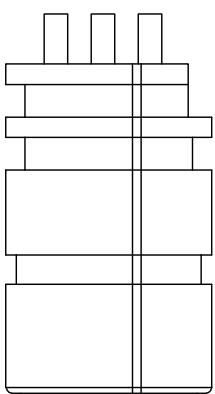


1 2 3 4 6 7 8



PARTS	MATERIALS	TREATMENT	AMOUNT
A HOUSING	PBT+GF	SPECIFY COLOR	1
B CONTACT	BRASS	GOLD PLATED	8

Engagement force Disengagement force Mechanical lifespan IP rating Flameability		≤20N ≥5N ≥500 IP65/IP67 UL94 V-0	Rated voltage Rated current Insulation resistance Contact resistance Operation Temperature	30V 1.5A ≥1000M Ω ≤10 $m\Omega$ -40° C~105° C
---	--	--	--	--

Dongguan Changjun Electronics Co., LTD
 东莞市昌骏电子有限公司

TOLERANCE		TITLE:	
.xxx	±0.05	方型 mini 防水板连接器公头	
.xx	±0.10	PART NO.:	DRAWING NO.:
.x	±0.20	CJ-FXMT18-M11	CP-FXMT0002
ANGLES	±1°	SHEET:	SCALE:
		1 / 1	1 : 1
DRAWN:	CHECKS:	UNIT:	SIZE:
Xie Wenjun	Long Jichang	mm	REV
			A/0
			DATE:
			2022-01-05