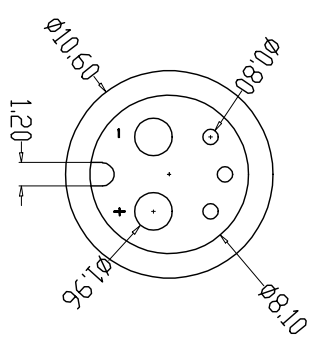
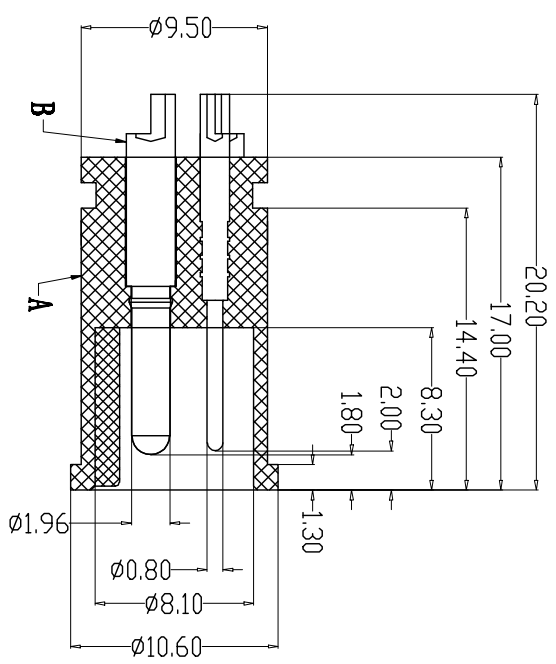
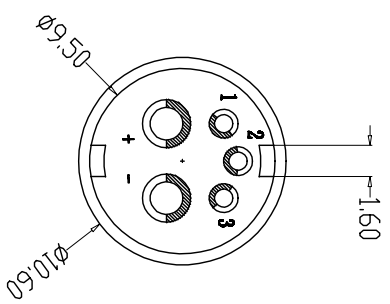
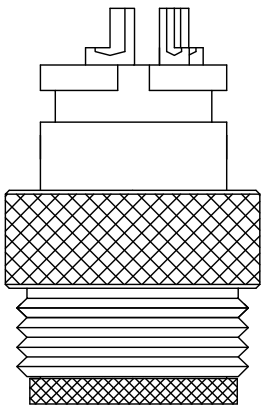
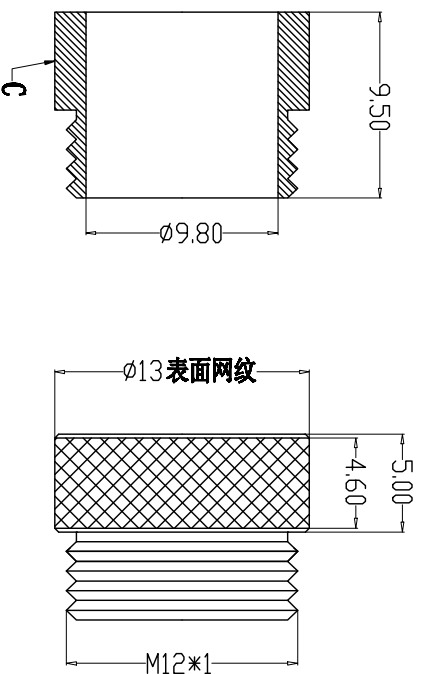


1 2 3 4 6 7 8



由 Autodesk 教育版产品制作

由 Autodesk 教育版产品制作

PARTS	MATERIALS	TREATMENT	AMOUNT
A	HOUSING	LCP+GF	NATURAL COLOR
B	CONTACT	BRASS	GOLD PLATED
C	NUT	BRASS	NICKEL PLATED
D			
E			
F			

Engagement force	≤50N	Rated voltage	220V
Disengagement force	≥10N	Rated current	20A
Mechanical lifespan	≥500	Insulation resistance	≥1000MΩ
IP rating	IP67	Contact resistance	≤10mΩ
Flammability	UL94 V-0	Operation Temperature	-40° C~105° C

Dongguan Changjun Electronics Co., LTD		TOLERANCE	
东莞市昌骏电子有限公司		±0.05	
TITLE: 1-M12防水5P(2:3)线端公头		±0.10	
PART NO: CJ-M12TR5-401		±0.20	
DRAWING NO.: GP-R12T0001		±0.50	
SHEET: 1 / 1		SCALE: 1 : 1	
DRAWN: Xie Wenjun		UNITS: mm	
CHECK: Long Jichang		SIZE: A4	
DATE: 2022-01-05		REV: A/0	

1 2 3 4 6 7 8