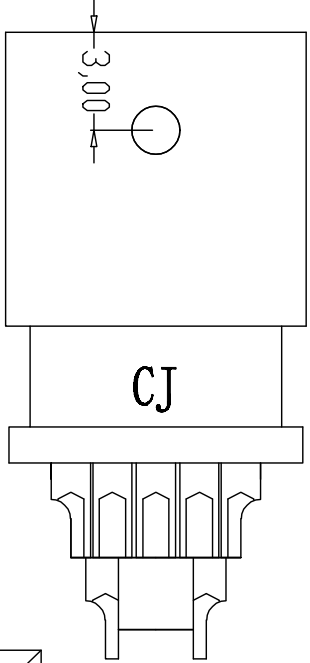
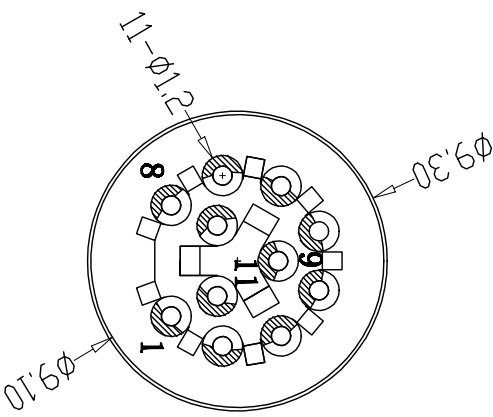
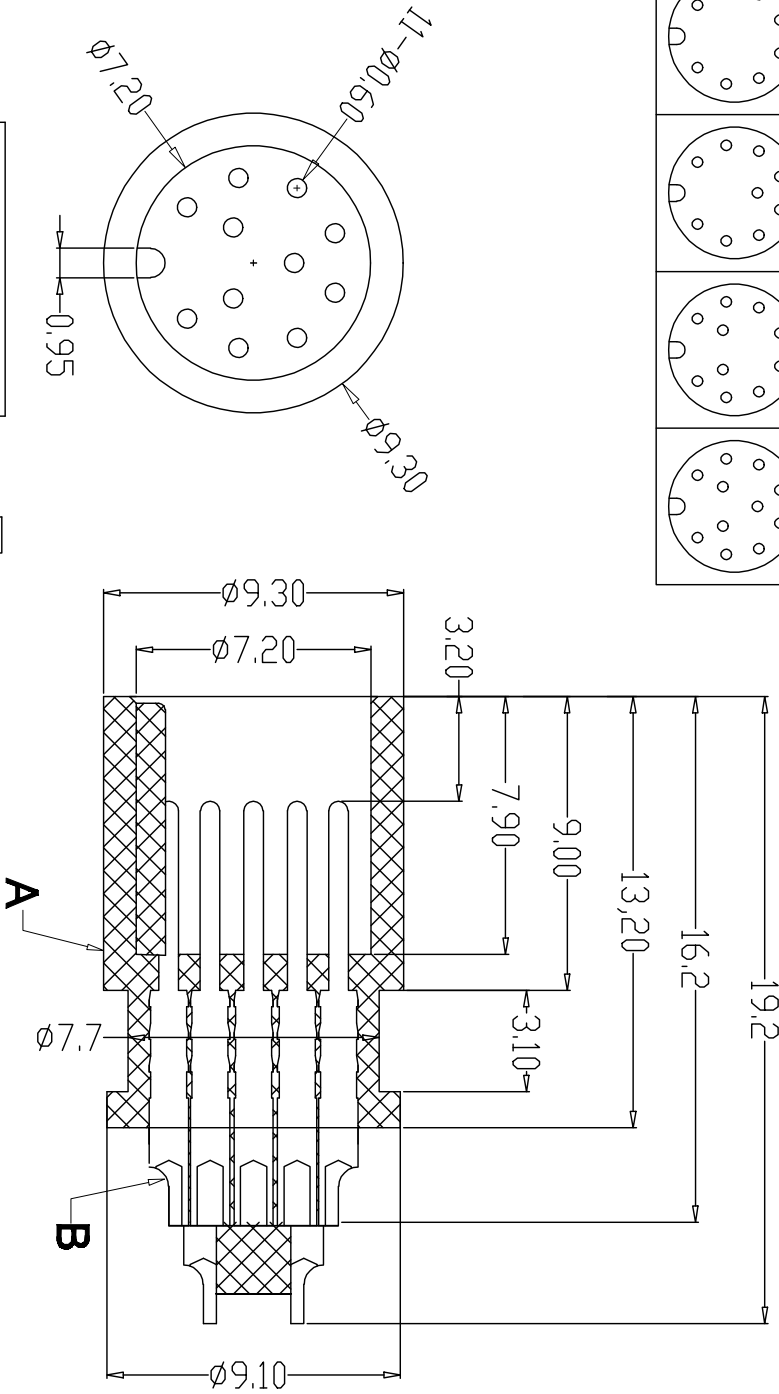


A	PIN数	1	2	3
	图形			



PARTS	MATERIALS	TREATMENT	AMOUNT
A HOUSING	PA66+GF	BLACK	1
B CONTACT	BRASS	GOLD PLATED	8~11

G	Engagement force	≤55N	Rated voltage	24V
	Disengagement force	≥25N	Rated current	2A
	Mechanical lifespan	≥500	Insulation resistance	≥1000M $\Omega$
H	IP rating		Contact resistance	≤10m $\Omega$
	Flammability	UL94 V-0	Operation Temperature	-25° C~85° C

**东莞市昌骏电子有限公司**  
Dongguan Changjun Electronics Co., Ltd

宝马®11P连接器(欧)  
TITLE:

PART NO: CJ-5M(8~11)-MS1  
DRAWING NO.: CJ-5M0028

SHEET: 1 / 1  
SCALE: 1 : 1  
UNITS: mm  
SIZE: A4  
REV: A/0

TOLERANCE:  
xxx ±0.05  
.xx ±0.10  
.x ±0.20  
x ±0.50  
ANGLE ± 1°

DRAWN: Xie Wenjun  
CHECKS: Long Jibang  
DATE: 2022-01-05