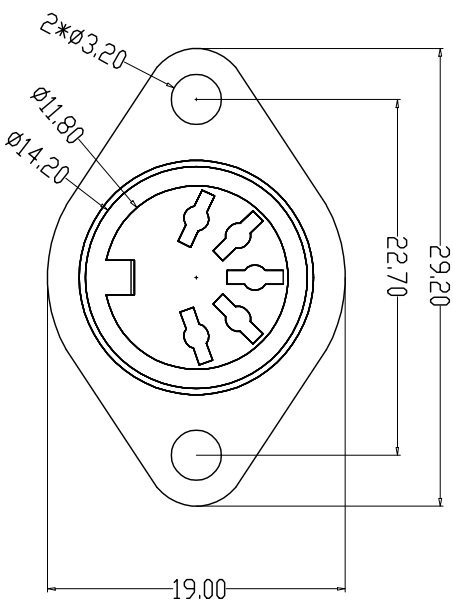
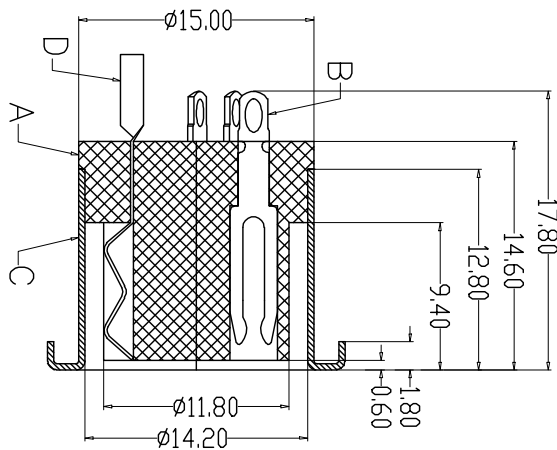
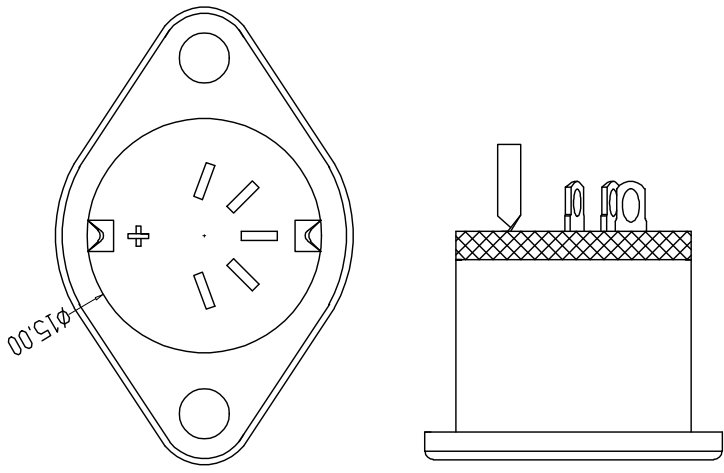


A	1	2	3	4	6	7	8	
B	3P 180°	4P 240°	5P 180°	5P 240°	6P 240°	7P 270°	8P 270°	8P 262°



由 Autodesk 教育版产品制作

由 Autodesk 教育版产品制作

G	Engagement force	≤60N	Rated voltage	30V	PARTS		AMOUNT
	Disengagement force	≥15N	Rated current	7.5A	A HOUSING	BLACK	1
H	Mechanical lifespan	≥2000	Insulation resistance	≥1000MΩ	B CONTACT	BRASS	3*8
	IP rating		Contact resistance	≤10mΩ	C SHELL	SPOE-SD	1
I	Flammability	UL94 V-0	Operation Temperature	-40° C~105° C	D GROUND WIRE	BRONZE	1
					E	NICKL PLATED	

Dongguan Changjun Electronics Co., Ltd
 东莞市昌骏电子有限公司

TITLE: 插座壳体
 TITLE: 插座壳体

PART NO: CJ-DIN(3)-P11
 DRAWING NO.: CJ-DIN009

TOLERANCE: ±0.05
 ±0.10
 ±0.20
 ±0.50

DATE: 2022-01-05