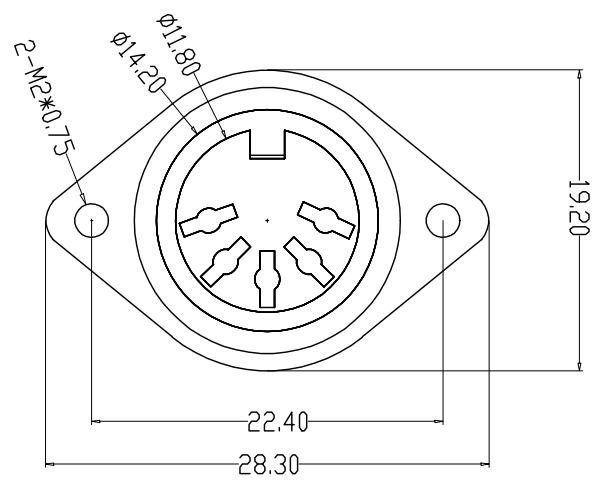
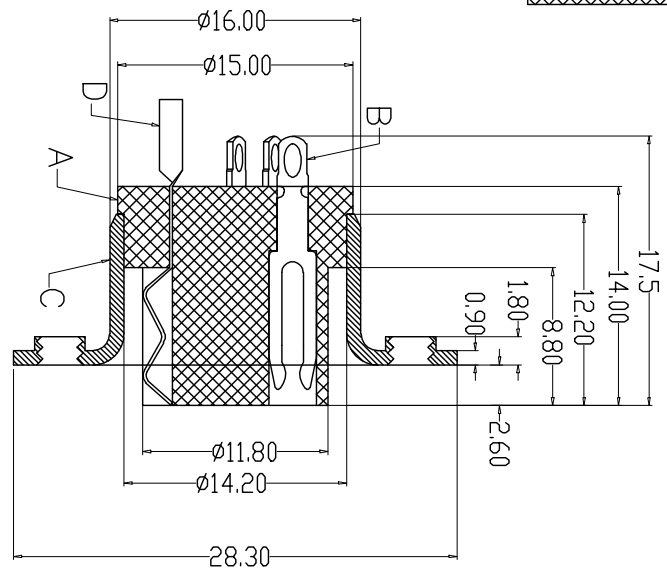
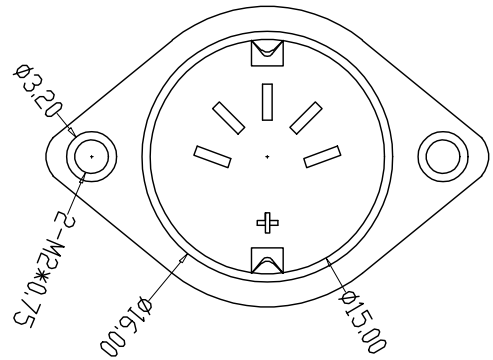
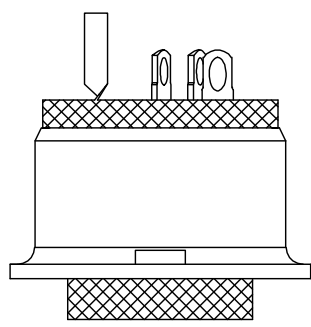


A	1	2	3	4	6	7	8
B	3P 180°	4P 240°	5P 180°	5P 240°	6P 240°	7P 270°	8P 270°
	1	2	3	4	6	7	8



由 Autodesk 教育版产品制作

Engagement force	$\leq 60N$	Rated voltage	30V
Disengagement force	$\geq 15N$	Rated current	7.5A
Mechanical lifespan	≥ 2000	Insulation resistance	$\geq 1000M\Omega$
IP rating	UL94 V-0	Contact resistance	$\leq 10m\Omega$
Flammability	UL94 V-0	Operation Temperature	-40° C ~ 105° C

PARTS	MATERIALS	TREATMENT	AMOUNT
A HOUSING	PBT+GF	BLACK	1
B CONTACT	BRASS	NICKL PLATED	3*8
C SHELL	SPOE-SD	NICKL PLATED	1
D GROUND WIRE	BRONZE	NICKL PLATED	1

Dongguan Changjun Electronics Co., Ltd 东莞市昌骏电子有限公司		TITLE: 40108 圆形连接器 (凸出型带壳) PART NO: C3-DIN(3P)-P12 SHEET: 1 / 1 SCALE: 1 : 1 UNIT: mm SIZE: A4 REV: A/0	
TOLERANCE: .xxx .xx .x ANGLES $\pm 1^\circ$	DRAWN: Xie Junjun CHECK: Long Jichang DATE: 2022-01-05	DRAWING NO.: C3-DIN0010	