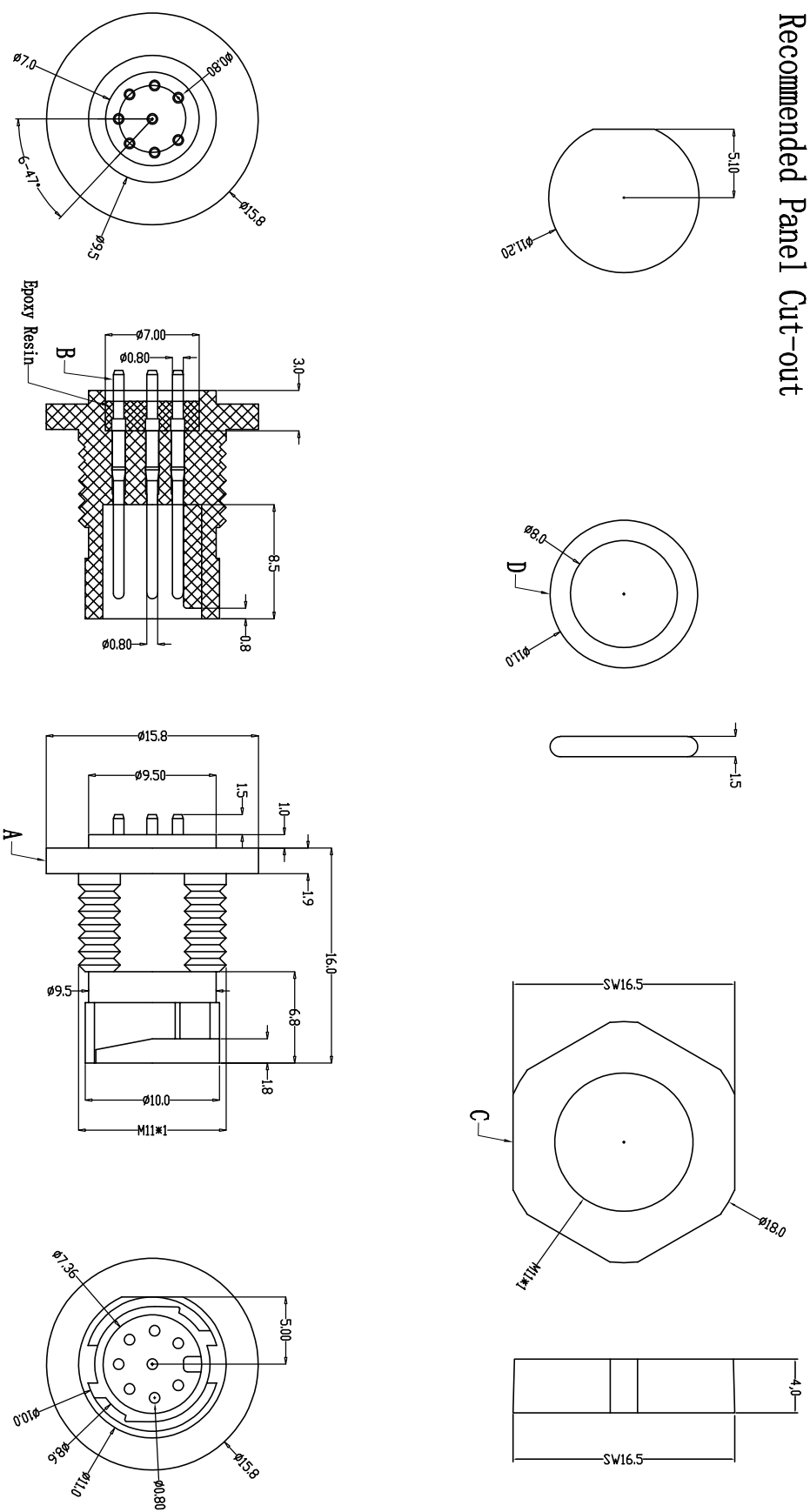


Recommended Panel Cut-out



PARTS	MATERIALS	TREATMENT	AMOUNT
A HOUSING	PA66+GF	SPECIFY COLOR	1
B CONTACT	BRONZE	GOLD PLATED	3~8
C NUT	PA66+GF	SPECIFY COLOR	1
D 0-RING	EPDM	SPECIFY COLOR	1

Dongguan Changjun Electronics Co., LTD 东莞市昌骏电子有限公司	
10型快锁防误插板端公头 前视图版式M11	
TITLE:	
PART NO:	CP-RS1002
DRIVING NO.:	
SCALE:	1:1
UNIT:	mm
SIZE:	A4
REV:	A/0
CHECK:	Long Jichang
DATE:	2023-04-16

1 2 3 4 5 6 7 8